

# ***Royal Sovereign RSL-2701 27 Inch Table Top School Roll Laminator***

**Instruction Manual**



*Provided by*

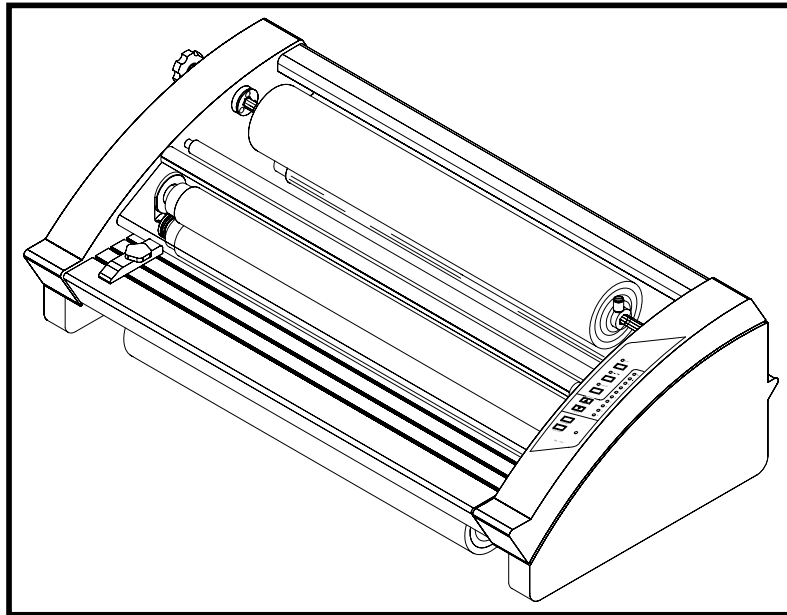
**MyBinding.com**  
*When Image Matters.*

Call Us at 1-800-944-4573



**TABLE TOP LAMINATOR**

**RSL-2701 OWNER'S MANUAL**



Please read instructions carefully before use.

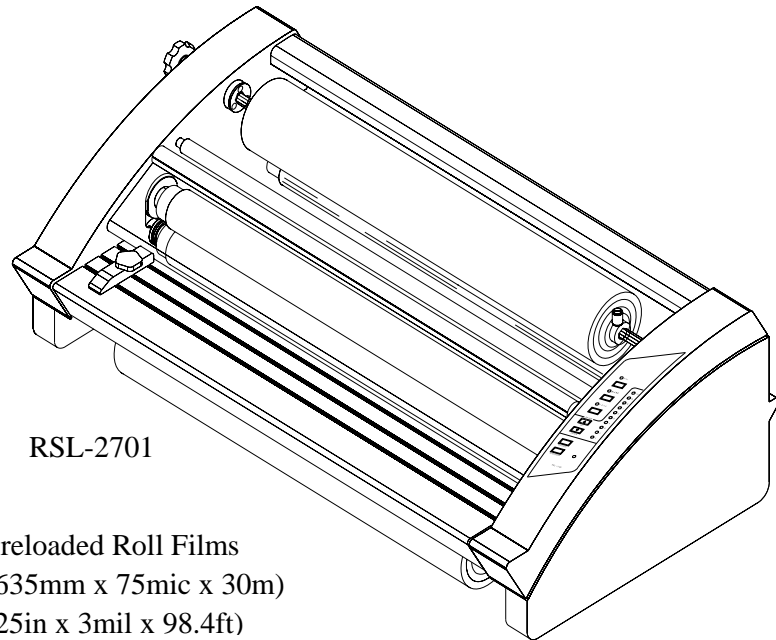
**TABLE OF CONTENTS**

▣Introduction	3
▣Package Contents	3
▣Safety Precautions	4
▣Parts	5
▣Features Guide	6
▣Operating Instructions	8
▣Film Loading and Threading	8
▣Maintenance	11
▣Trouble shooting guide	12
▣Specifications	13
▣Warranty	14

## INTRODUCTION

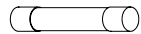
Thank you for purchasing RSL-2701 Table Top Laminator. It has been designed and manufactured to provide years of continuous service. For high quality lamination, please read this instruction manual thoroughly. This manual will provide you with complete operating and maintenance information.

## PACKAGE CONTENTS

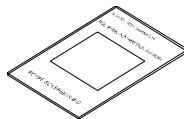


RSL-2701

Preloaded Roll Films  
(635mm x 75mic x 30m)  
(25in x 3mil x 98.4ft)



SPARE FUSE  
(250V / 15A)



Owner's  
Manual

## SAFETY PRECAUTIONS

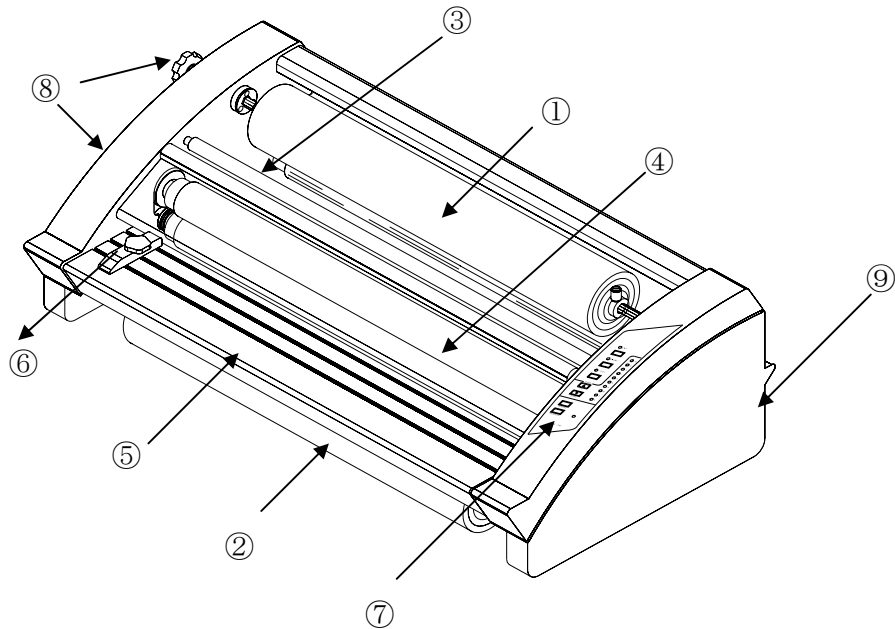


### WARNING

Failure to comply with any of the following safety procedures could result in serious injury.

1. Insure the unit is plugged into a properly grounded outlet with the correct voltage.
2. Only licensed electricians should service or repair the electrical wiring.
3. Keep flammable and wet objects away from the machine.
4. Place machine on a level sturdy surface.
5. Avoid excessive sunlight, humidity and temperatures.
6. Unplug the machine when moving it or when it's not in use.
7. Keep out of reach of children.
8. Only authorized maintenance and service technician are permitted to make repairs.
9. Do not cover the surface of the machine until the machine is completely cooled.
10. When cleaning the machine, don't use flammable sprays or materials.
11. Do not touch the rollers or allow foreign objects inside the machine.

## PARTS



- 1- Upper Film
- 2- Lower Film
- 3- Idle Bar
- 4- Hot Rollers
- 5- Feed Table
- 6- Paper Guide
- 7- Control Panel
- 8- Tension Knob
- 9- Power Switch

## FEATURES GUIDE

	Run and stop the machine
	Reverse the rollers to undo jams and correct misfed documents
	Reduce roller speed (1~10 speed settings)
	Increase roller speed (1~10 speed settings)
	Film Application Temperature 210° F~230° F
	Film Application Temperature 230° F~270° F
	Film Application Temperature 270° F~310° F

Figure 1

**FPower Switch (1)** - Located on the rear of the machine. "I" (on) "O" (off). (Fig. 2)

**Cross Cutter (2)** - Used to cut off the laminated web. (Fig. 2)

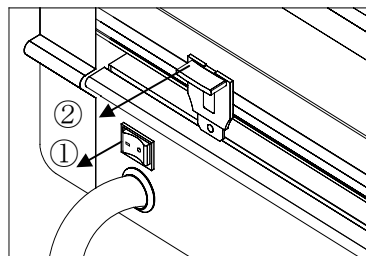


Figure 2

**Feed Guide (3)** -The feed guide permits alignment of the item(s) to be laminated. To position the adjustable guide, loosen the knob, slide it to the desired position and tighten the knob to secure the feed guide in place. (Fig.3)

**Safety Shield (4)** - It prevents entanglement

*NOTE: If the safety shield is opened, the power to the motor will turn off.*

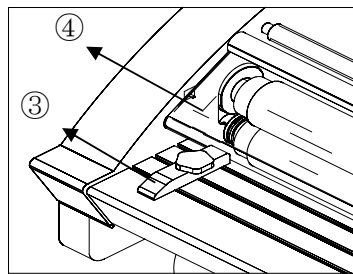


Figure 3

### Film Shaft and Locking Core Adapter (5) -

The film shaft holds the film supply on the machine. The locking core holds and locks the film on the shaft to prevent shifting. (Fig.4)

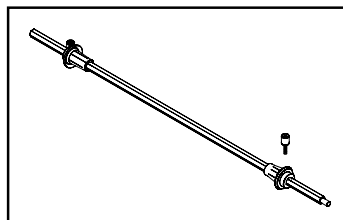


Figure 4

**Film Tension Adjustment (6)** - Allows the operator to increase or decrease film web tension. To increase the tension turn the knob clockwise and to decrease tension turn the knob counterclockwise. (Fig. 5)

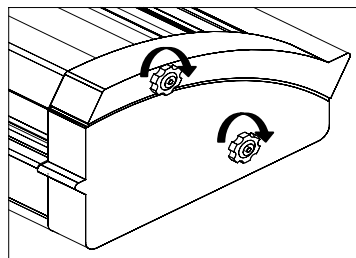


Figure 5

## OPERATING INSTRUCTION

1. Turn the laminator ON (I) located on the rear of the machine. (Fig. 2)
2. Choose appropriate laminating thickness and speed. (Fig. 1)
3. Do not begin laminating until the blinking light is steady (approximately 10 minutes).
4. Position the item to be laminated on the feed table.
5. Press the RUN button. The rollers will begin to turn, wait for heat line to disappear, feed the item into the machine.
6. Stop the laminator when all of the items have completely exited the rear of the machine.

Repeat the above steps until all of your lamination is completed. When lamination is completed the machine is not in use for an extended period of time turn the power off.

### NOTE: Stand by mode and auto power off mode

- **Stand by mode:** If no activity is made within 30 minutes after each use the machine will automatically switch into stand by mode. (In stand-by mode the temperature will decrease to 80-90 °C (176-194°F) and the three film thickness setting indicators will blink).
- **Auto power off mode:** If the machine is in stand by mode and no activity is made for 60 minutes the machine will automatically power off.
- If any activity is made while in stand by or auto power off mode the machine will return to it's previous stage.

## FILM LOADING & THREADING

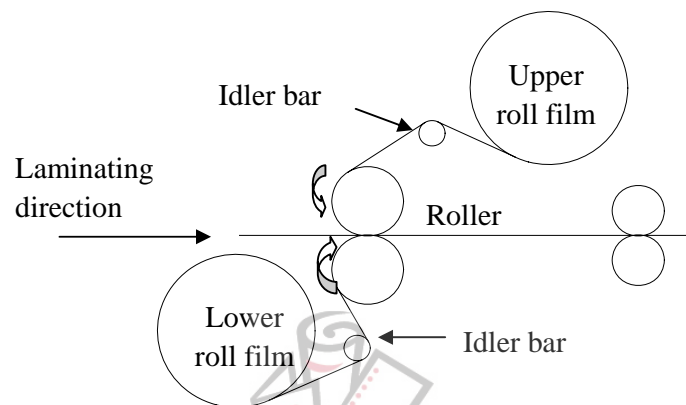


Figure 6

## ▲ LOADING UPPER ROLL FILM

1. Slightly slide the shaft to the right and pull it out from the machine.

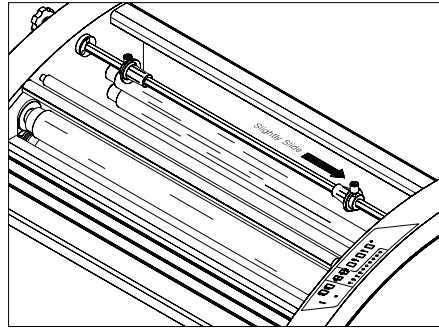


Figure 7

2. Take both lock core adapters off from the shaft.

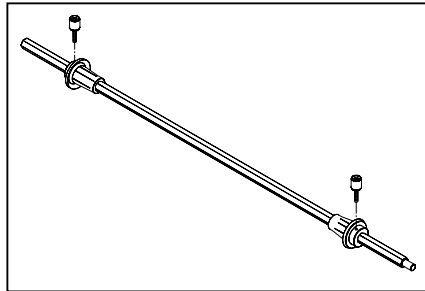


Figure 8

3. Insert one of the core adapters into the right end of the film core. For film with poly-in (adhesive side is inside the web), make sure the adhesive side is facing upward. (Fig. 9)

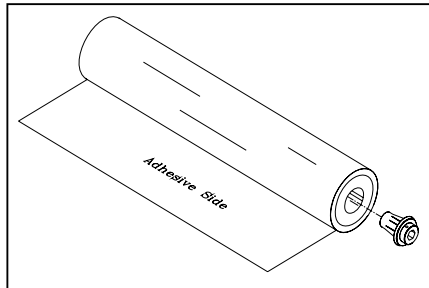


Figure 9

4. Insert the film shaft into the roll of film from the right side with the copper end last. Align and insert the core adapter on the left end of the film core.

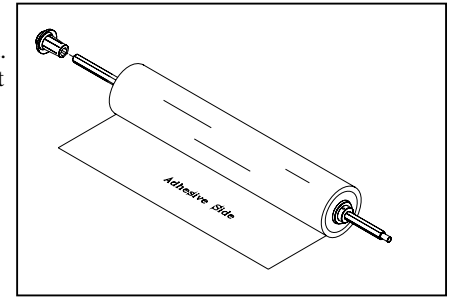


Figure 10

5. Center the film on the shaft and lock it in place with the locking core adapters

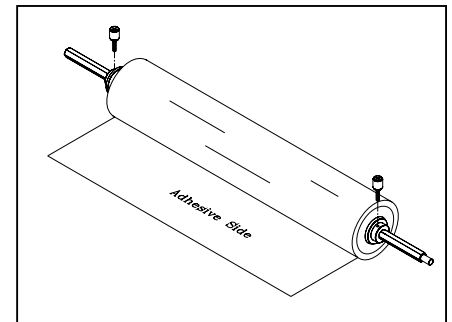


Figure 11

6. Carefully return the film shaft back into place.

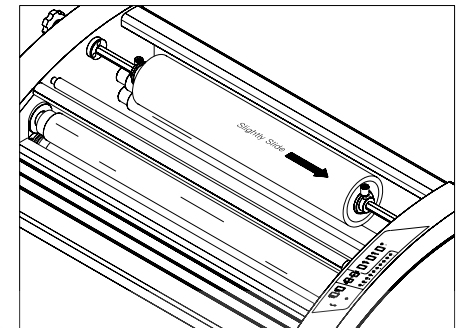


Figure 12

## ▲ LOADING LOWER ROLL FILM

1. Repeat steps 1-5 to load lower roll film.
2. Once the upper and lower film is on the shaft, pull the film from the top roll down to the bottom roll to make certain that the film is aligned properly. Then tighten the lower locking core screws.

*NOTE: If the film is not aligned properly exposed adhesive will adhere to the rollers and may cause the film to jam.*

## ▲ FILM THREADING

Refer to Figure 6

## MAINTENANCE

1. Do not apply any cleaning fluids to the rollers certain fluids may cause damage.
2. Do not clean rollers with sharp or pointed objects.
3. Use adhesive remover to clean resin off of the rollers.
4. Use a damp cloth with water to clean the body of the machine.
5. Store machine in a dry clean area.

## TROUBLE SHOOTING GUIDE

Problem	Cause	Remedy
Rollers do not operate after the RUN/STOP Button is pressed	<ol style="list-style-type: none"> <li>1. Safety cover is opened.</li> <li>2. Power cord is not plugged in</li> <li>3. Machine is not turned on.</li> </ol>	<ol style="list-style-type: none"> <li>1. Check safety cover is properly closed.</li> <li>2. Plug in the power cord.</li> <li>3. Turn the machine on.</li> </ol>
Roller is not heating	Call your authorized dealer	Call your authorized dealer
Poor Lamination	<ol style="list-style-type: none"> <li>1. Unbalanced film tension.</li> <li>2. Lower idler bar is not properly positioned</li> <li>3. Wrong temperature/speed setting</li> </ol>	<ol style="list-style-type: none"> <li>1. Adjust film tension</li> <li>2. Push idler bar in proper position</li> <li>3. Follow manufacturers recommended temperature and speed.</li> </ol>

## SPECIFICATIONS

MODEL	RSL-2701
Power supply	AC 120V / 60Hz
Power consumption	1450W
Max laminating width	685(mm) / 27(in)
Film thickness	25~125(mic) / 1~5(mil)
Max laminating speed	2.4(m/min) / 7.9(ft/min)
Ready time	10 min
Heating method	Hot Roller
Driving motor	DC geared motor
Temperature control	Digital(micom)
Speed control	Digital(10steps)
Transport type	4 Roller
Cooling system	no
Side cutter	no
Cross cutter	yes
Film alignment	no
Hot lamination	yes
Cold lamination	no
Reverse	yes
Remote control	no
Foot switch	no
Dimensions(w x d x h)	920 x 520 x 320(mm) / 36.2 x 20.5 x 12.6(in)
Unit weight	50 (kg) / 110.2 (lbs)

## WARRANTY

Royal Sovereign International warrants the equipment sold is free from defects in material and workmanship for a period of One (1) year for Parts and Labor from the date of installation, excluding lamination rollers which are warranted for Six (6) months. This warranty is extended only to the original purchaser. This warranty is the only warranty made by Royal Sovereign International and cannot be modified or amended. Royal Sovereign's sole and exclusive liability and the customer's sole and exclusive remedy under this warranty shall be, at Royal Sovereign's option, to repair or replace any such defective part or product. These remedies are only available if Royal Sovereign's examination of the product discloses to Royal Sovereign's satisfaction that such defects actually exist and were not caused by misuse, neglect, attempt to repair, unauthorized alternation or modification, incorrect line voltage, fire, accident, flood or other hazard. All warranty claims must be filed through the authorized Royal Sovereign dealer or reseller through which the equipment was originally purchased. Model, serial number and date of delivery are required for all claims.

The warranty made herein is in lieu of all other warranties, expressed or implied, including any warranty or merchantability or fitness for a particular purpose. Royal Sovereign will not be liable for personal damage or personal injury (unless primarily caused by its negligence), loss of profit, or other incidental or consequential damages arising out of the use or inability to use this equipment.

### LIMITED WARRANTY

This warranty specifically does not cover damage to laminating rollers caused by knives, razor blades, or any sharp objects or abrasives, or failure caused by adhesives, or damage caused by lifting, tilting or improper use of the machine. Warranty repair or replacement by Royal Sovereign or its authorized Reseller(s) does not extend the warranty beyond the initial one year period from the date of installation. Unauthorized customer alterations will void this warranty.

CORPORATE HEADQUARTERS  
**Royal Sovereign International Inc.**  
 2 Volvo Drive, Rockleigh, NJ 07647 U.S.A.  
 TEL : +1) 800-397-1025 FAX : +1) 201-750-1022  
 E-mail : info@royalsovereign.com

**RS Holland B.V.**  
 Planetenweg 75 2132HM Hoofddorp, The Netherlands.  
 TEL : +31) 23-5626620, +31) 23-5654451  
 FAX : +31) 23-5654565  
 E-mail : purchaseorder@royalsovereign.com

**Royal Sovereign Inc. <Oversea Sales Office>**  
 1001, World Meridian II, 426-5, Gasan-dong,  
 Geumcheon-gu, Seoul, 153-759, KOREA  
 TEL : +82)2-2025-8800 FAX : +82)2-2025-8830  
 E-mail : sales@royalsovereign.com

**RS Canada Inc.**  
 164 Oakdale Road, Toronto, Ontario M3N 2S5  
 CANADA  
 TEL : +1) 416-741-8400 FAX : +1) 416-741-8185  
 E-mail : info@royalsovereign.com

**RS International Australia PTY. LTD.**  
 30 Prime Drive, Seven Hills, NSW 2147, Australia  
 TEL : +61) 2-9674-2127  
 FAX : +61) 2-9674-2027  
 E-mail : salesaust@royalsovereign.com