

# Standard AutoCreaser 33 Scoring Machine

## Parts Manual

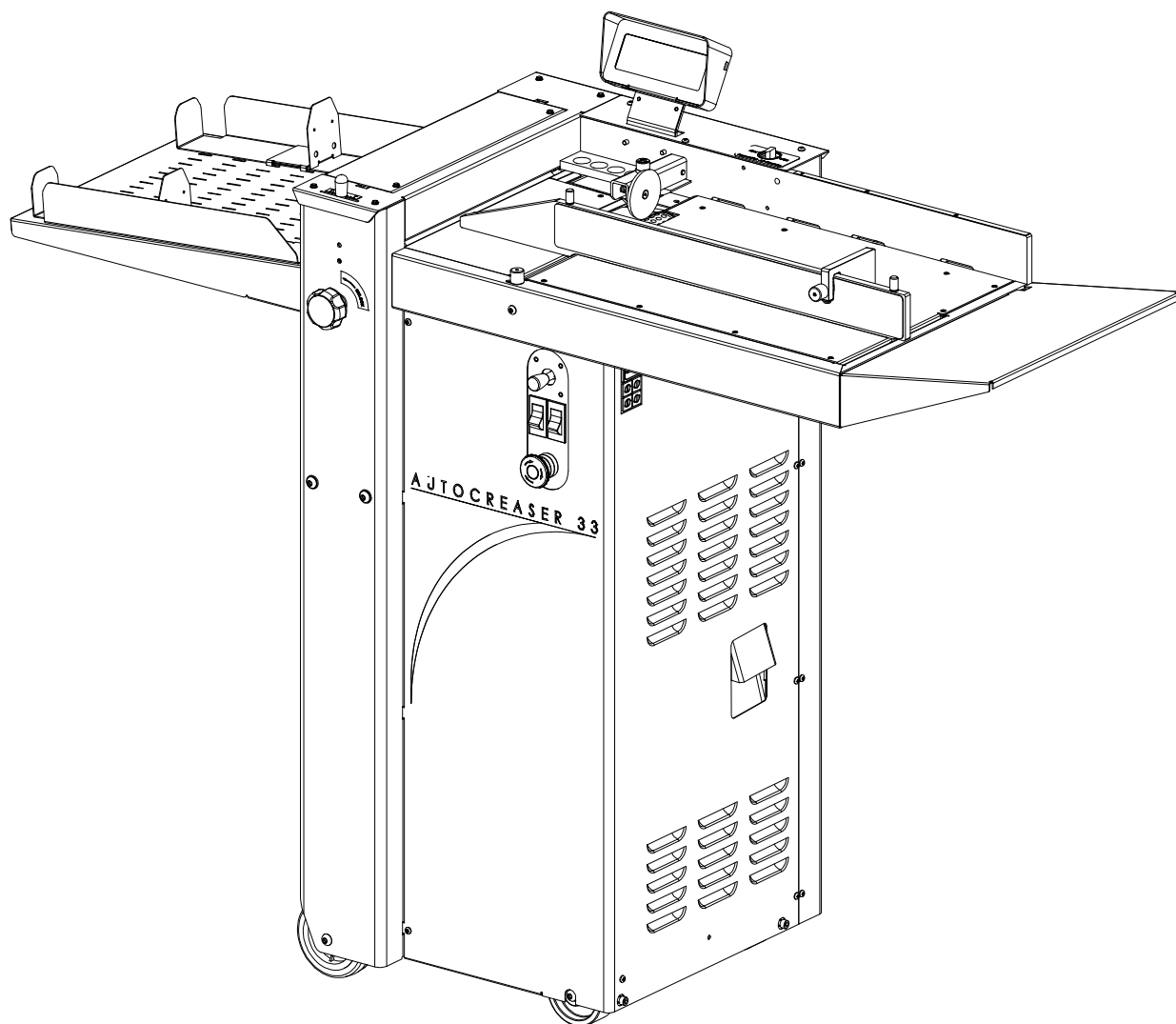


Provided By

**MyBinding.com**  
*When Image Matters.*

# Morgana

## AutoCreaser 33



## DOCUMENT CREASING MACHINE

### *ILLUSTRATED PARTS MANUAL*

**Morgana Systems Limited** United Kingdom

Telephone: ( 01908 ) 608888 Facsimile: ( 01908 ) 692399

Website: [www.morgana.co.uk](http://www.morgana.co.uk)

ISSUE 5 J A N U A R Y 2009

# *Morgana* AutoCreaser 33

## **ILLUSTRATED PARTS MANUAL**

The Illustrated Parts Manual has been designed to assist when selecting a part or assembly which may be required to service or repair your machine.

The index on page four lists all of the major assemblies in the order in which the machine is constructed.

The following page demonstrates how to recognise a part from a sub-assembly and shows the quantity contained within the major assembly.

The major assembly number and description is listed at the top of the page and should always be quoted when ordering parts or when seeking technical advice.

Before ordering parts confirm that the model number of the machine (listed at the top of page four) is identical to the number stamped on the specification plate. Whilst checking this, make a note of the serial number also stamped on the plate.

Some components will not be made available individually as they form part of a sub-assembly which may require specialist tools and knowledge to dismantle. The machine may not perform correctly if attempts are made to repair sub-assemblies of this type.

### **NOTE....**

**ALWAYS READ THE OPERATORS MANUAL BEFORE MAKING ANY  
ADJUSTMENTS TO YOUR MACHINE AND ALWAYS DISCONNECT THE POWER  
SUPPLY BEFORE REMOVING ANY COVERS.**

## USING THIS MANUAL.....

CIRCLED ITEM NUMBERS IN LISTS & ON ILLUSTRATIONS INDICATE SUB ASSEMBLIES.

ITEMS LISTED ARE AVAILABLE INDIVIDUALLY AS SPARE PARTS.

10			
11	92 - 039	1	SLIDE FRAME ASSEMBLY - Low
12	95-046	1	SWITCH ASSEMBLY - Set-up
13	95-047	1	SWITCH ASSEMBLY - Feed
14	95-049	1	SWITCH ASSEMBLY - Rotary Setting Dial
15	95-058	1	SWITCH ASSEMBLY - Push Button 1
16	95-059	1	SWITCH ASSEMBLY - Push Button 2
17	95-060	1	SWITCH ASSEMBLY - Push Button 3
18	95-064	1	SWITCH ASSEMBLY - Push Button 4
19			
30			

QUANTITY PER ASSEMBLY

### NOTE....

Some sections have footnotes to explain various aspects of the parts lists and accompanying illustrations. They may also include warnings about the fitting of parts, their removal, or the need to use special tools.

### TIP....

Some sections have tips to assist you in choosing spare parts for your machine or advice about keeping certain parts readily available to minimise downtime.

### WARNING.....

SOME SECTIONS HAVE WARNING NOTICES TO ADVISE YOU ABOUT ACTIONS WHICH MAY IMPAIR YOUR MACHINES PERFORMANCE OR CAUSE UNNECESSARY DAMAGE.

SECTION	ASSEMBLY	DESCRIPTION	PAGE
1	7-01-12	MAIN ASSEMBLY	6
2	7-03-11	FEED BED ASSEMBLY	10
3	7-06-11	CREASER UNIT	12
4	7-08-14	STACKER ASSEMBLY	22
5	720820	FINAL ASSEMBLY	24

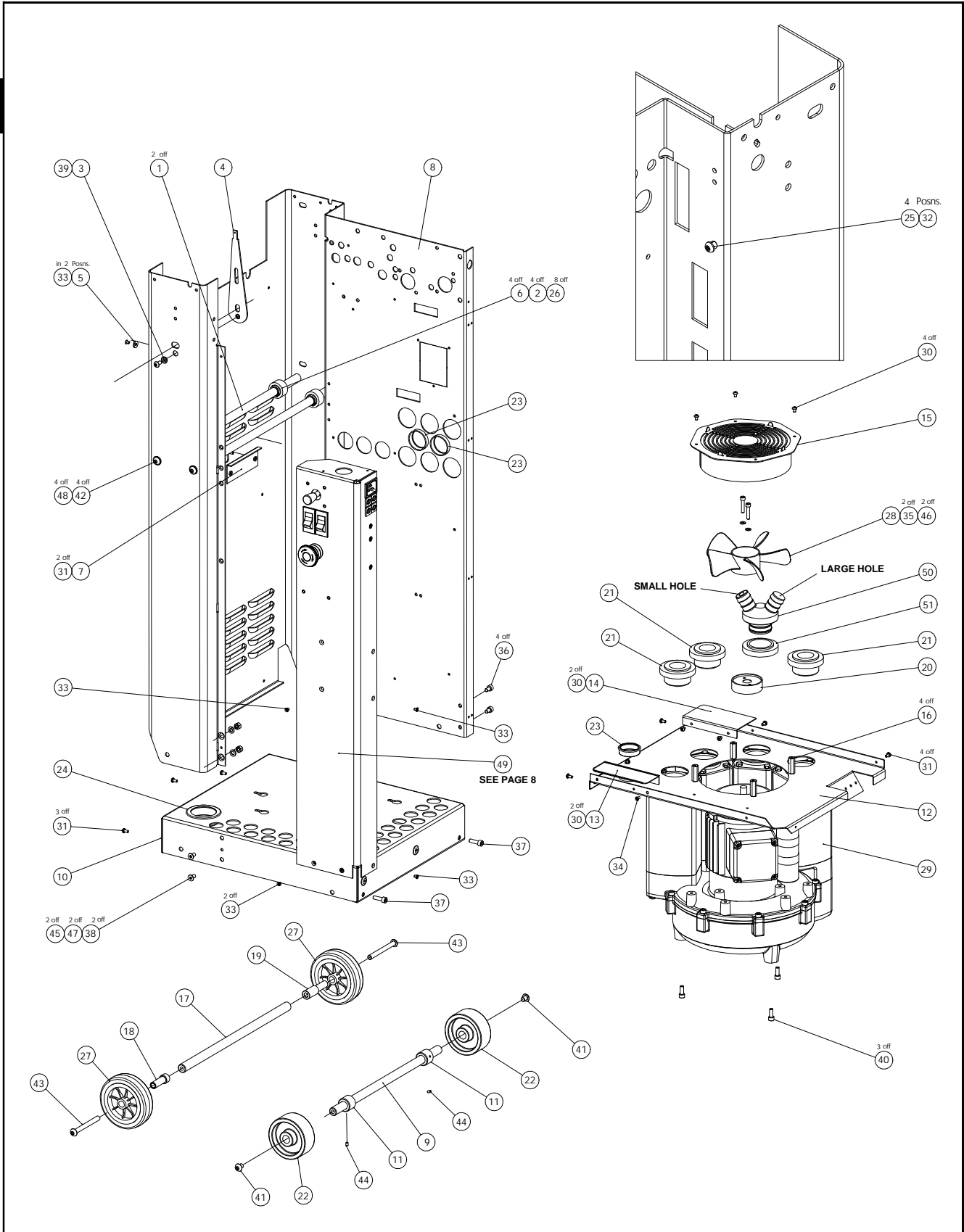
NOTE....

TIP....

To assist you in quickly finding the section you require, there are numbered tabs positioned down the outside edges of each page.

BLANK  
PAGE

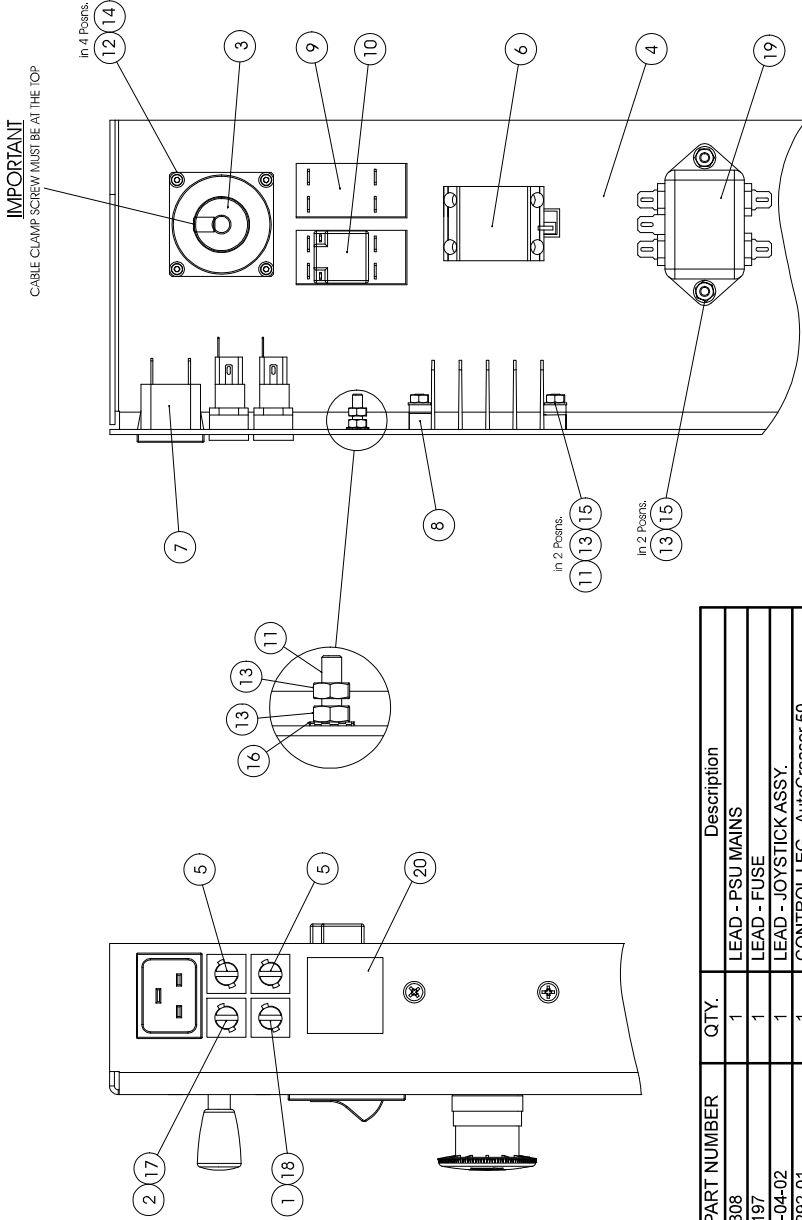
1



ITEM No.	PART No.	QTY.	Description
1	71-002-03	2	Tie Bar - AutoCreaser 33
2	71-005	4	Support Spool
3	71-010	1	Pivot Bush
4	71-013-02	1	TILT LEVER - MK2.
5	71-015	2	Pad
6	71-016	4	Shock Sleeve
7	71-018-02	1	PLATE - Blanking - AutoCreaser.
8	71-051-01	1	MAIN FRAME - AutoCreaser Mk3.
9	71-052-02	1	AXLE - AutoCreaser 33.
10	71-054-01	1	PLINTH - AutoCreaser 33.
11	71-055-01	2	WHEEL COLLAR
12	75-202-01	1	BAFFLE PLATE - AutoCreaser 33.
13	75-208-01	1	Tower Blank - Op Side
14	75-208-02	1	Tower Blank - Lay Side
15	75-229-02	1	Fan Guard Assy - AutoCreaser 33.
16	75-254-02	4	HEX PILLAR - Fan Spacer - M4
17	91-005	1	Axle - Wheels
18	91-006-05	1	WHEEL TUBE - Op. Side - AutoCreaser 50.
19	91-006-06	1	WHEEL TUBE - Lay Side - AutoCreaser 50.
20	91-024-03	1	FAN ADAPTER - Compressor - SV130.
21	91-025	3	BUNG - Compressor.
22	62-006	2	NYLON WHEEL
23	601-015	3	Snap Bushing Ø33.3 x Ø38
24	601-153	1	Snap Bushing Ø46 x Ø57.2
25	603-041	4	SPIROL SPACER Ø4 x Ø5.65 x 4 Lg.
26	615-014	8	CIRCLIP - External - Ø15
27	617-008	2	Wheel - Ø100
28	621-025	1	FAN - PLASTIC 5 BLADE 6" CCW
29	621-029	1	BLOWER - SV130.
30	401-02-040-006	8	Screw - Pan Pozi Taptite - M4 x 6 Lg.
31	401-02-040-008	9	Screw - Pan Pozi Taptite - M4 x 8 Lg.
32	401-02-040-010	4	Screw - Pan Pozi Taptite - M4 x 10 Lg.
33	402-02-040-006	7	Screw - Csk Hd. Taptite - M4 x 6 Lg.
34	402-02-040-008	1	Screw - Csk Hd. Taptite - M4 x 8 Lg.
35	403-01-050-025	2	SCREW - Socket Cap Head - M5 x 25 Lg.
36	403-01-060-010	4	SCREW - Socket Cap Head - M6 x 10 Lg.
37	403-01-060-020	2	SCREW - Cap Hd. - M6x 20 Lg.
38	404-01-060-012	2	SCREW - Socket Csk Head - M6 x 12 Lg.
39	405-01-060-012	1	SCREW - Socket Button Head - M8 x 16 Lg.
40	403-01-060-016	3	SCREW - Socket Cap Head - M6 x 16 Lg.
41	405-01-080-010	2	SCREW - Socket Button Head - M8 x 10 Lg.
42	405-01-080-016	4	SCREW - Socket Button Head - M8 x 16 g.
43	405-01-080-080	2	SCREW - Socket Button Head - M8 x 50 Lg.
44	409-01-040-006	2	Screw - Skt Set Screw - Flat Pt. - M4 x 6 Lg.
45	461-01-060	2	NUT - Full - M6
46	481-050	2	WASHER - Plain - M5
47	481-060	2	WASHER - Plain - M6
48	481-080	4	WASHER - Plain - M8
49	75-291-02	1	CONTROL LEG ASSY. - AutoCreaser 33
50	71-01-01	1	SV130 ADAPTOR ASSY
51	91-025-06	1	BUNG - Compressor - Ø40 Bore



1

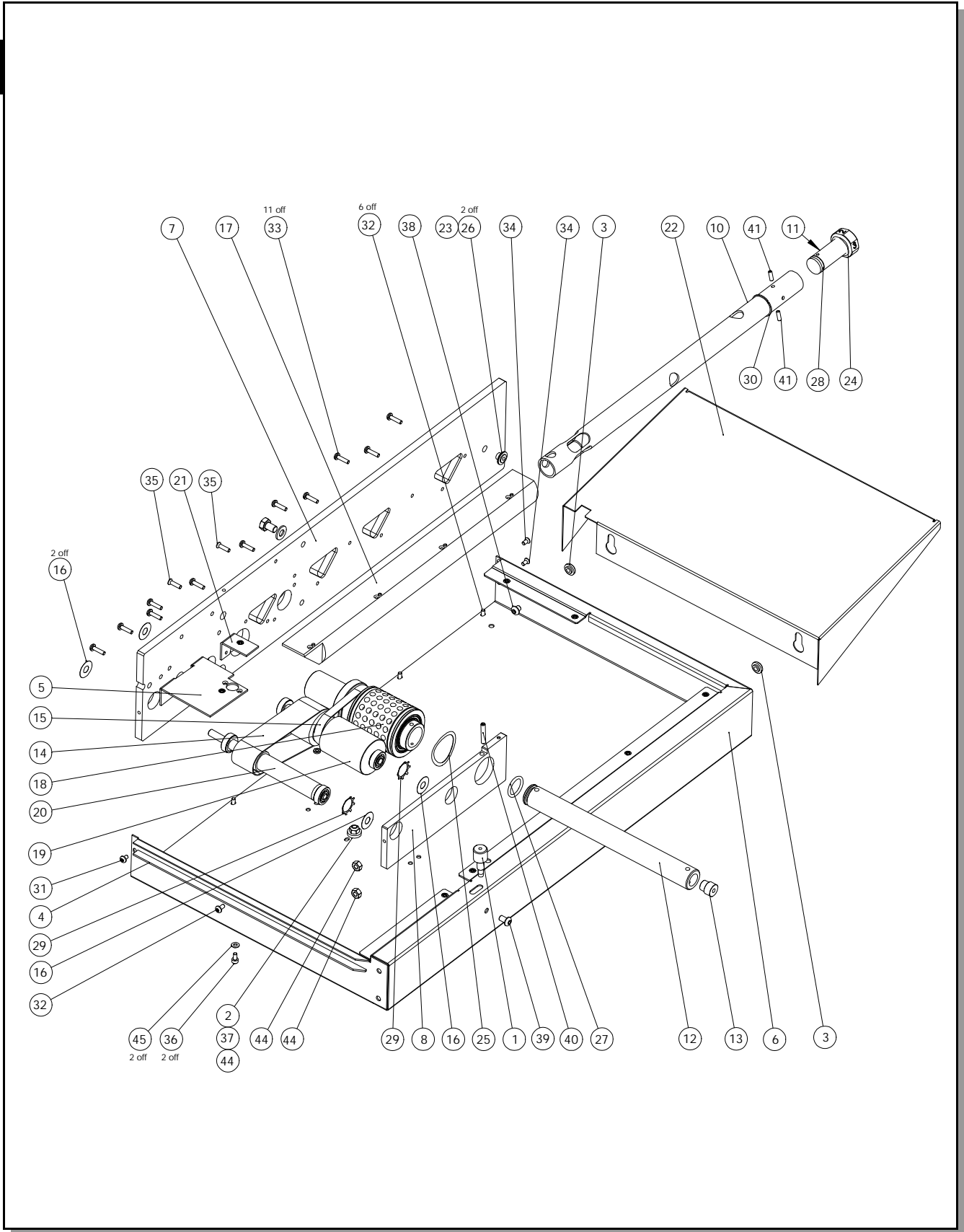


**75-291-02**  
(Control Leg Assembly)

ITEM NO.	PART NUMBER	QTY.	Description
1	75-308	1	LEAD - PSU MAINS
2	75-197	1	LEAD - FUSE
3	144-04-02	1	LEAD - JOYSTICK ASSY.
4	75-292-01	1	CONTROL LEG - AutoCreaser 50.
5	613-352	2	FUSE HOLDER - Ø5 x 20
6	613-365	1	EMERGENCY STOP SWITCH - Double Pole.
7	651-101	1	Mains Inlet - 20A
8	651-109	1	Tab Terminal Block - 4 way
9	652-009	1	SWITCH - Compressor. (UK)
	652-010	1	SWITCH - Compressor. (USA)
10	652-011	1	SWITCH - System.
11	402-02-040-016	3	Screw - Csk Hd. Tapite - M4 x 16 Lg.
12	403-01-025-008	4	SCREW - Cap Hd. - M2.5 x 8 Lg.
13	461-01-040	6	NUT - Full - M4
14	481-025	4	WASHER - Plain - M2.5
15	481-040	4	WASHER - Plain - M4
16	485-040	1	Washer - Shakeproof - M4
17	613-023	1	Fuse - 3.15A - 20mm x 5mm - FAST BLOW
18	681-015	1	Fuse - 4.0A - 20mm x 5mm - ANTI-SURGE
19	680-009	1	Mains Filter
20	75-387	1	Label - Fuse Ratings

BLANK  
PAGE

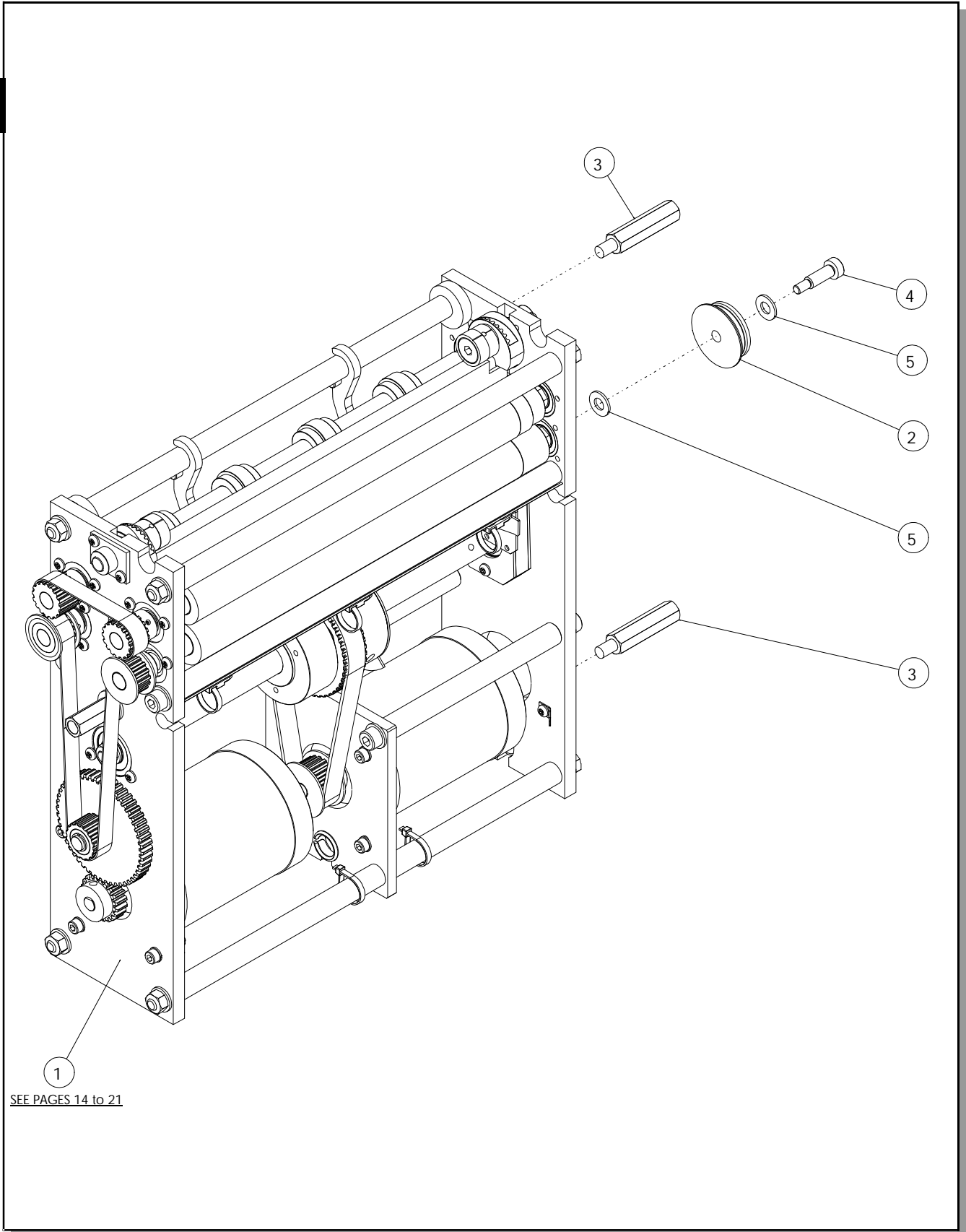
2



ITEM No.	PART No.	QTY.	Description
1	28-003	1	UNIVERSAL KNOB ASSY - M6 x 25 Lg. - Black - Ø16
2	51-095	1	Clamp Washer
3	73-004	2	Key Hole Latch
4	73-009	1	FOAM BED SPACER - AutoCreaser.
5	73-012-02	1	BELT SUPPORT - AutoCreaser 50.
6	73-051-02	1	FEED FRAME - AutoCreaser 33.
7	73-052-02	1	MANIFOLD PLATE - AutoCreaser 33.
8	73-054-01	1	SUPPORT PLATE - AutoCreaser 50
10	93-004	1	Air Distribution Tube
11	93-005	1	Knob - Air Distribution
12	93-014-04	1	CHOKE SHAFT - AutoCreaser 33
13	93-015	1	Locking Spool
14	93-021	1	Feed Belt
15	93-022	1	Vacuum Roller Drive Belt
16	93-023	4	Shield - Self Aligning Ball Race
17	73-03-01	1	Manifold Tube Assy
18	93-030-02	1	Vacuum Roller Assy - Slotted
19	93-031	1	Feed Drum Assy - Idler
20	93-032	1	Feed Drum Assy - Drive
21	93-033-02	1	Support Bracket - Control Bed - M3
22	93-037	1	Extension - Loading Table
23	601-088	1	Spring Plunger - Press In
24	604-060	1	Washer - Waved - Ø25.5 X Ø19 X 3
25	604-062	1	Washer - Waved - Ø35.5 X Ø43.5 X 0.4
26	605-004	2	Thrust Washer - Ø8 x Ø15.88 x 0.79
27	609-011	1	'O' Ring Ø20 x Ø3
28	609-014	1	'O' Ring Ø15 x Ø3
29	615-035	2	Metric Push-in Fix
30	615-040	1	Retaining Ring - External - Ø25
31	401-02-040-006	1	Screw - Pan Pozi Taptite - M4 x 6 Lg.
32	401-02-040-008	6	Screw - Pan Pozi Taptite - M4 x 8 Lg.
33	401-02-040-016	11	Screw - Pan Pozi Taptite - M4 x 16 Lg.
34	402-02-040-008	2	Screw - Csk Hd. Taptite - M4 x 8 Lg.
35	402-02-040-016	2	Screw - Csk Hd. Taptite - M4 x 16 Lg.
36	403-01-040-008	2	Screw - Socket Cap Head - M4 x 8 Lg.
37	403-01-060-012	1	Screw - Socket Cap Head - M6 x 10 Lg.
38	405-01-060-006	2	Screw - Button Hd. - M6 x 6 Lg.
39	405-01-060-010	1	Screw - Button Hd. - M6 x 10 Lg.
40	408-01-050-030	1	Screw Skt Cone Pt - M5 x 30 Lg.
41	409-01-040-012	2	Screw - Socket Set - Flat Point - M4 x 12 Lg.
44	461-01-060	3	Nut - Full - M6
45	481-040	2	Washer - Plain - M4

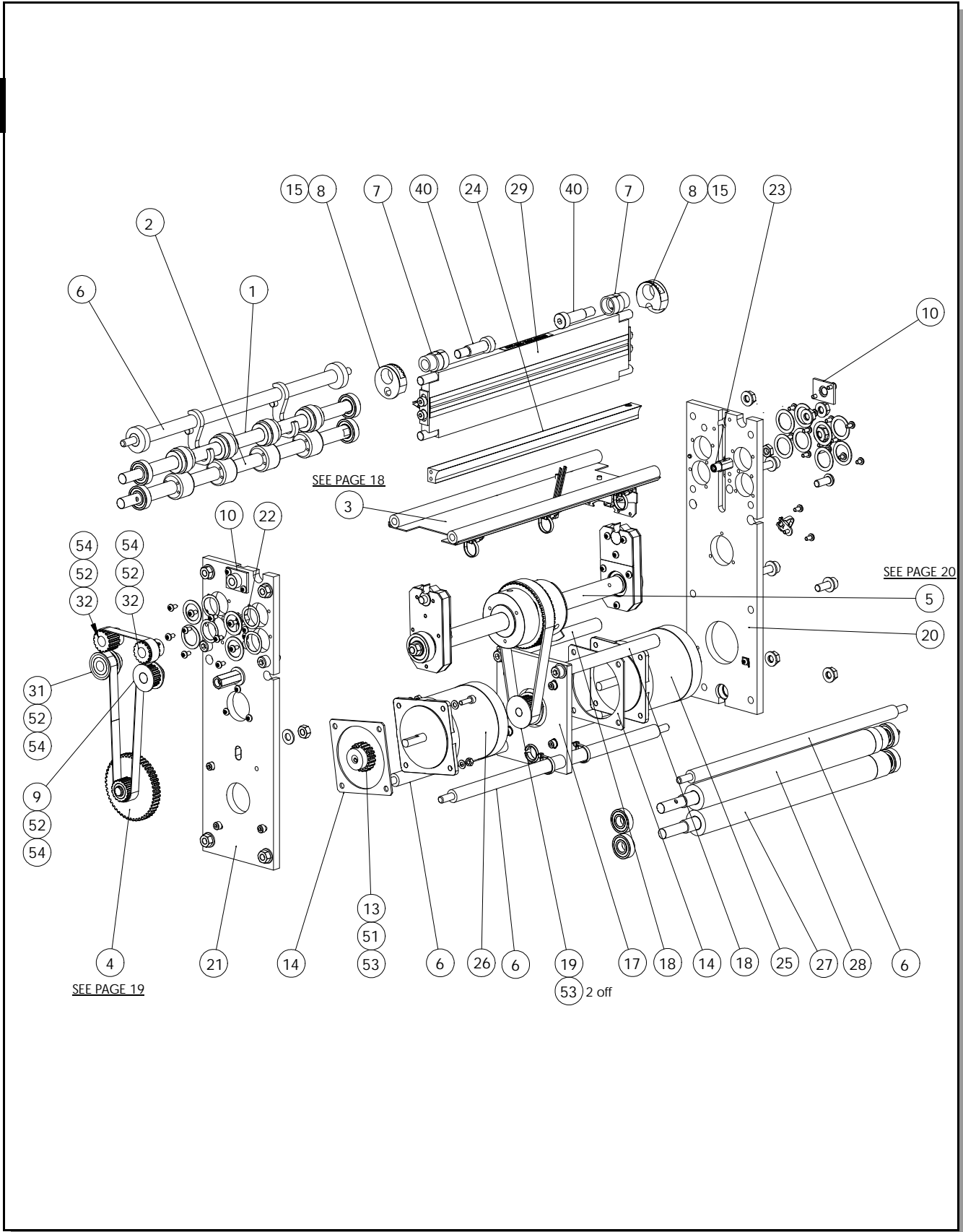
2

3



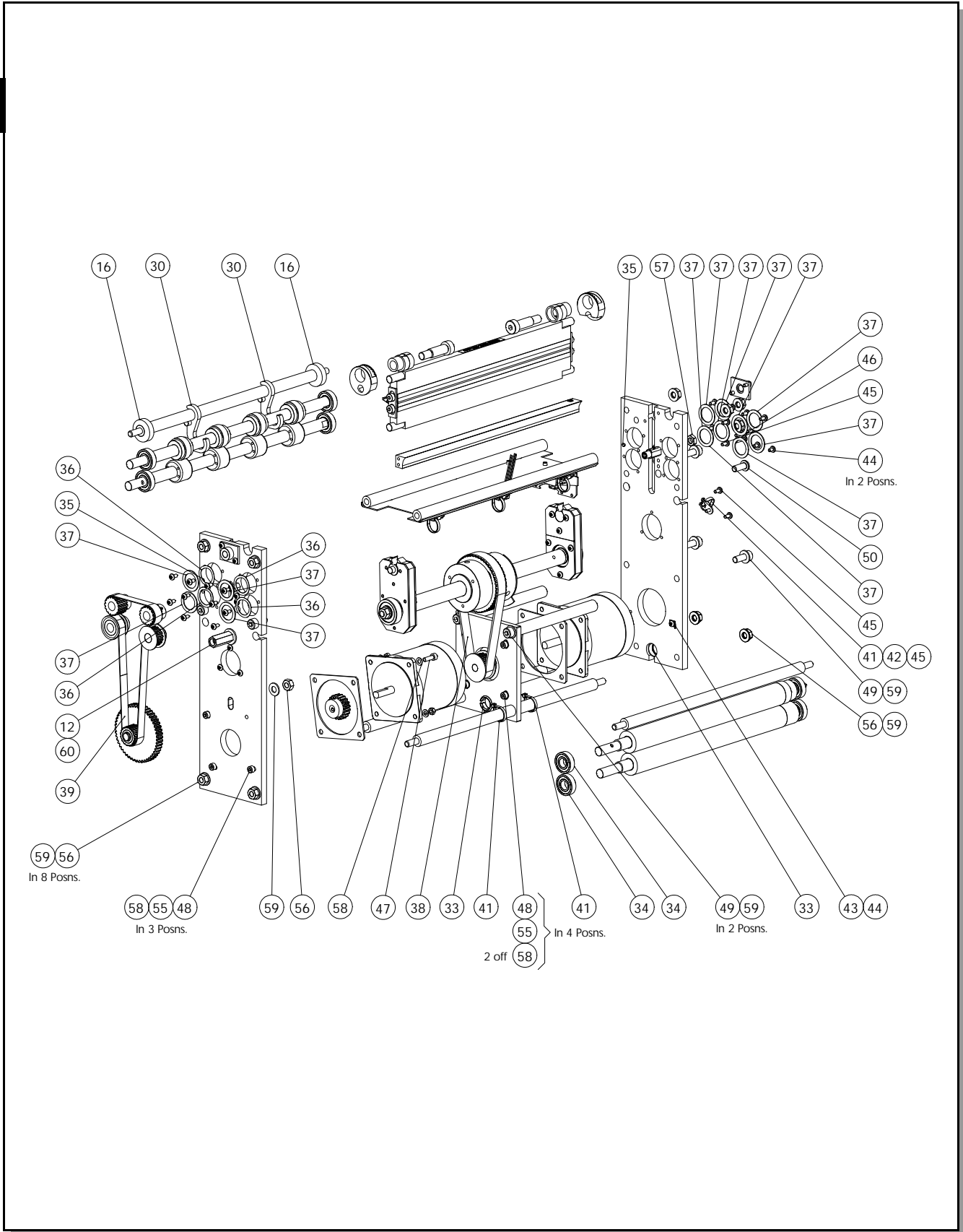
ITEM No.	PART No.	QTY.	Description
1	7-06-12	1	CREASING UNIT ASSY.
2	76-040-02	1	Cord Pulley - Drive
3	76-053-02	2	HINGE PILLAR
4	608-001	1	Shoulder Bolt - Ø8 (M6) x 20 Lg.
5	481-080	2	Washer - Plain - M8

3



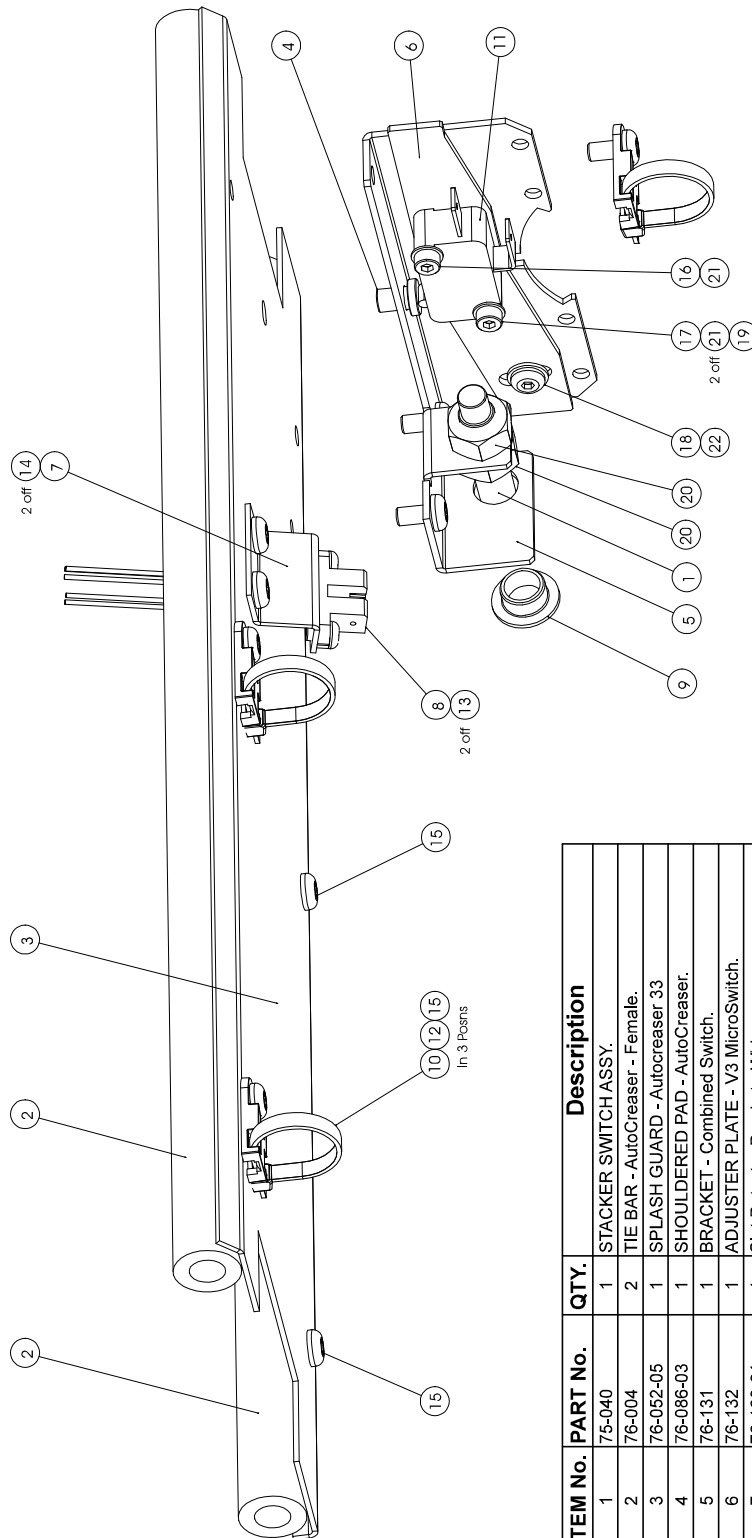
ITEM No.	PART No.	QTY.	Description
1	76-250-01	1	Upper Output Shaft Assy
2	76-251-01	1	Lower Output Shaft Assy
3	76-04-01	1	Splash Guard Assy
4	76-05-01	1	Idler Gear Assy
5	76-06-01	1	Crank Shaft Assy
6	76-003	4	TIE BAR - AutoCreaser.
7	76-011	2	BLADE ADJUSTMENT CAM.
8	76-012	2	ADJUSTMENT DISK - AutoCreaser
9	76-034-06	1	TIMING PULLEY - 16XL - Short Hub.
10	76-047	2	LOCK NUT - Blade Cam.
13	76-062-04	1	STEPPER PINION - 20T AutoCreaser 50
14	76-065	2	STEPPER SHIM
15	76-101	1	LABEL - Blade Adjustment.
17	76-121-01	1	MTG. PLATE - Stepper Motor.
18	76-122-01	2	TIE BAR - Female.
19	76-123-01	1	TIMING PULLEY - 20XL - Wide Flanged.
20	76-142-04	1	SIDE PLATE - Lay Side - Mk3.
21	76-142-05	1	SIDE PLATE - AC33 Op. Side Mk3
22	76-166	1	LEAD - Paper Jam Sensor.
23	76-167	1	LEAD - Dual Sensor Assy.
24	76-168	1	LEAD - Paper Guide Sensor
25	76-172	1	BLADE MOTOR & LEAD ASSY.
26	76-173	1	DRIVE MOTOR & LEAD ASSY.
27	76-175-01	1	INPUT ROLLER ASSY. - Lower
28	76-177-01	1	INPUT ROLLER ASSY. - Upper
29	76-213-01	1	BLADE SET - 320 Wide Std. Groove.
31	56-003-02	1	TIMING PULLEY Wide - 16XL - Flanged.
32	56-004-02	2	TIMING PULLEY - 16XL - Un-Flanged.
40	608-019	2	Shoulder Bolt - Ø12(M10) x 30 Lg.
51	407-01-050-006	1	Screw - Socket Set Knurled - M5 x 6 Lg.
52	409-01-040-004	4	Screw - Socket Set - Flat Point - M4 x 4 Lg.
53	409-01-050-005	3	Screw - Socket Set - Flat Point - M5 x 5 Lg.
54	411-01-040-006	4	Screw - Socket Set - Dog Point - M4 x 6 Lg.





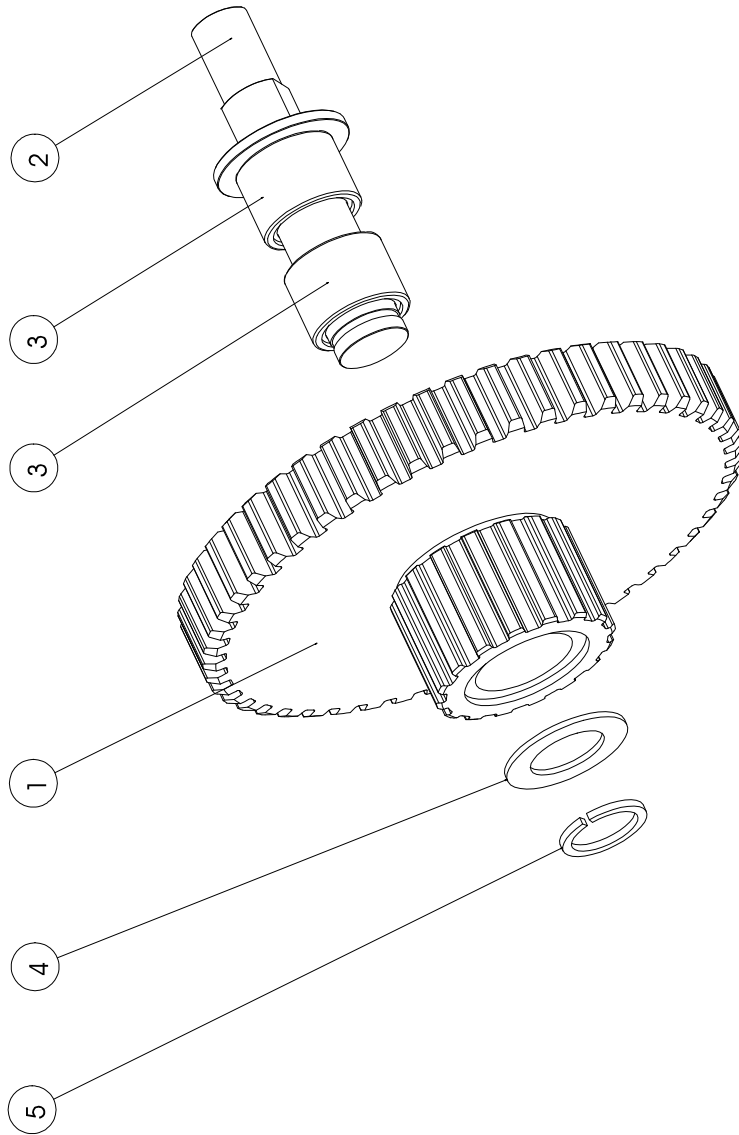
ITEM No.	PART No.	QTY.	Description
12	76-054-03	1	TILT PILLAR - AutoCreaser MK3
16	76-105	2	BUFFER - Exit Guard.
30	78-013	2	PERFORATOR STRIPPER ASSEMBLY.
33	601-124	2	HOLE BUSHING - Split - Ø19.
34	602-003	2	BEARING-Deep Groove Ball - 6001-ZZ
35	603-046	2	Spirol Pin - Ø4 x 12 Lg.
36	604-071	4	Waved Washer - Ø21 x Ø27.5 x 3.0
37	605-052	12	SUPPORT WASHER - Ø12
38	607-042	1	TIMING BELT - 160XL - 15.
39	607-048	1	TIMING BELT
41	613-027	3	TIE WRAP - Small.
42	613-339	1	CABLE TIE MOUNTING
43	651-031	1	TERMINAL STRIP - 45° - Single
44	401-02-040-006	3	Screw - Pan Pozi Taptite - M4 x 6 Lg.
45	401-02-040-008	28	Screw - Pan Pozi Taptite - M4 x 8 Lg.
46	401-02-040-016	4	Screw - Pan Pozi Taptite - M4 x 16 Lg.
47	403-01-050-016	1	Screw - Socket Cap Head - M5 x 16 Lg.
48	403-01-050-025	7	Screw - Socket Cap Head - M5 x 25 Lg.
49	403-01-080-020	7	Screw - Socket Cap Head - M8 x 20 Lg.
50	405-01-080-020	1	Screw - Button Hd. - M8 x 20 Lg.
55	461-01-050	7	Nut - Full - M5
56	461-01-080	9	Nut - Full - M8
57	462-01-080	1	Half Nut - M8
58	481-050	15	Washer - Plain - M5
59	481-080	16	Washer - Plain - M8
60	481-100	1	Washer - Plain - M10

3



**76-04-01**  
(Splash Guard Assembly)

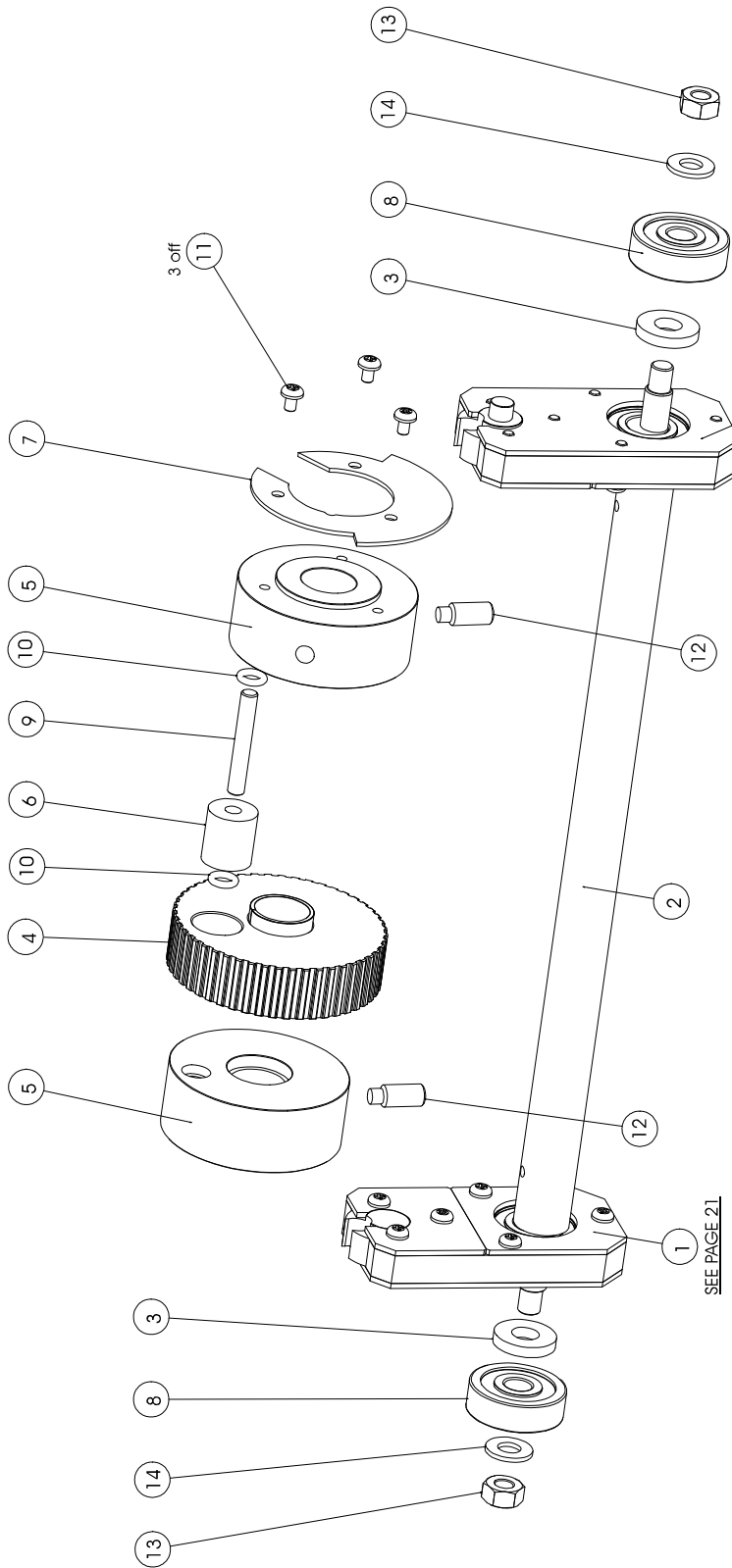
ITEM No.	PART No.	QTY.	Description
1	75-040	1	STACKER SWITCH ASSY.
2	76-004	2	TIE BAR - AutoCreaser - Female.
3	76-052-05	1	SPLASH GUARD - AutoCreaser 33
4	76-086-03	1	SHOULDERED PAD - AutoCreaser.
5	76-131	1	BRACKET - Combined Switch.
6	76-132	1	ADJUSTER PLATE - V3 MicroSwitch.
7	76-163-01	1	Slot Detector Bracket - Wide
8	76-169	1	SENSOR - Blade Position.
9	602-054	1	EP Bush - Ø8 x Ø10 x Ø15 x 5.5
10	613-027	3	TIE WRAP - Small.
11	613-191	1	MICROSWITCH
12	613-339	3	CABLE TIE MOUNTING
13	401-02-030-006	2	Screw - Pan Pozi Taptitite - M3 x 6 Lg.
14	401-02-040-006	2	Screw - Pan Pozi Taptitite - M4 x 6 Lg.
15	401-02-040-008	7	Screw - Pan Pozi Taptitite - M4 x 8 Lg.
16	403-01-030-016	1	Screw - Socket Cap Head - M3 x 16 Lg.
17	403-01-030-020	1	Screw - Socket Cap Head - M3 x 20 Lg.
18	405-01-040-006	1	Screw - Button Hd. - M4 x 6 Lg.
19	461-01-030	1	Nut - Full - M3
20	461-01-080	2	Nut - Full - M8
21	481-030	3	Washer - Plain - M3
22	481-040	1	Washer - Plain - M4



ITEM No.	PART No.	QTY.	Description
1	76-063-03	1	STEPPER IDLER - 50T Gear / 16XL Pulley.
2	76-064-02	1	IDLER STUD - AutoCreaser 50.
3	602-085	2	BEARING - Drawn Cup Needle Roller - HK1010
4	605-002	1	NYLON WASHER - Ø10.69 X17.45 X 0.79
5	615-043	1	RETAINING RING - External - Ø10

**76-05-01**

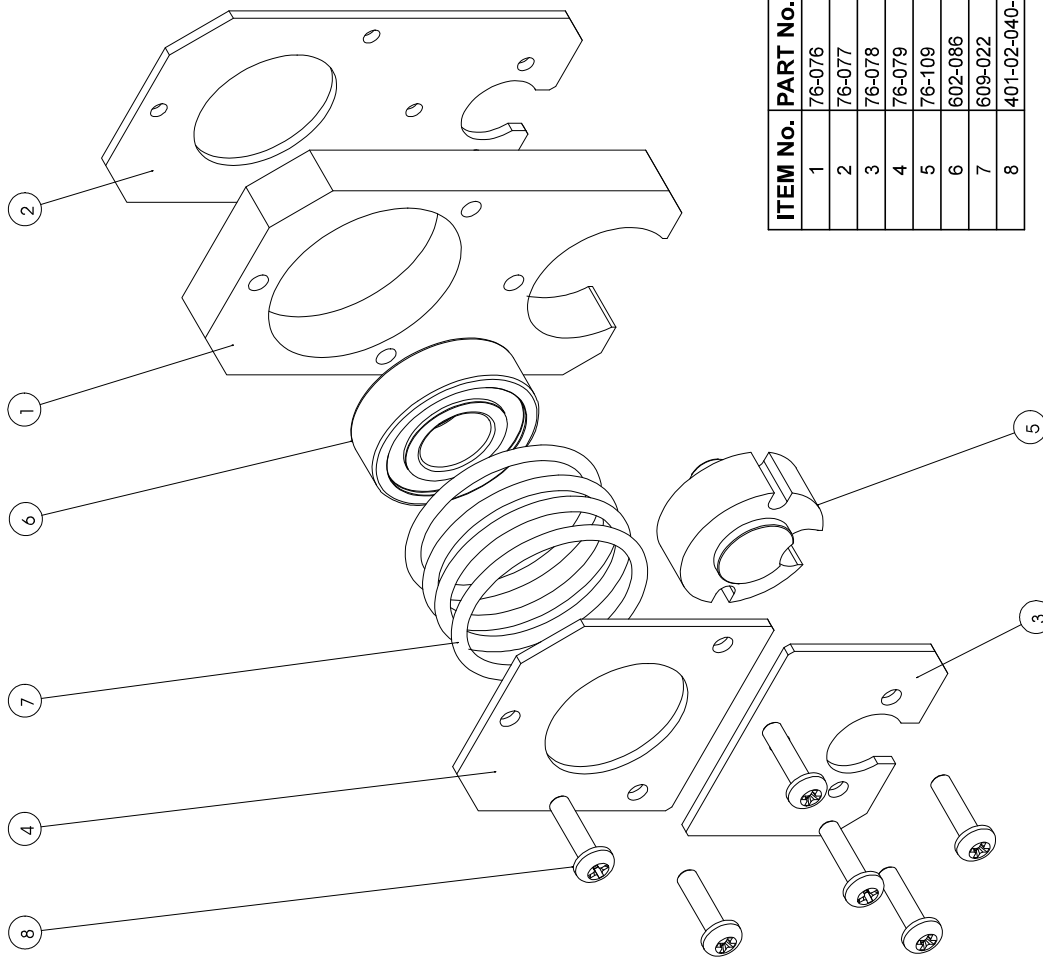
(Idler Gear Assembly)



ITEM No.	PART No.	QTY.	Description
1	76-03-01	2	Power Link Assy
2	76-015-02	1	CRANK SHAFT - AutoCreaser
3	76-016	2	SPACER - Crank Shaft.
4	76-125	1	PULLEY ASSY. - Crankshaft.
5	76-126	2	TORSION HUB - AutoCreaser.
6	76-127	1	Torsion Bush
7	76-134-02	1	Slot Detector Disk - Small
8	602-082	2	BEARING-DEEP GROOVE BALL - 6300-ZZ
9	603-071	1	DOWEL - Ø6 x 40 Lg.
10	609-024	2	O'Ring.
11	401-02-040-006	3	Screw - Pan Pozi Tapitite - M4 x 6 Lg.
12	411-01-080-020	2	Screw - Socket Set - Dog Point - M8 x 20 Lg.
13	461-01-080	2	Nut - Full - M8
14	481-080	2	Washer - Plain - M8

**76-06-01**

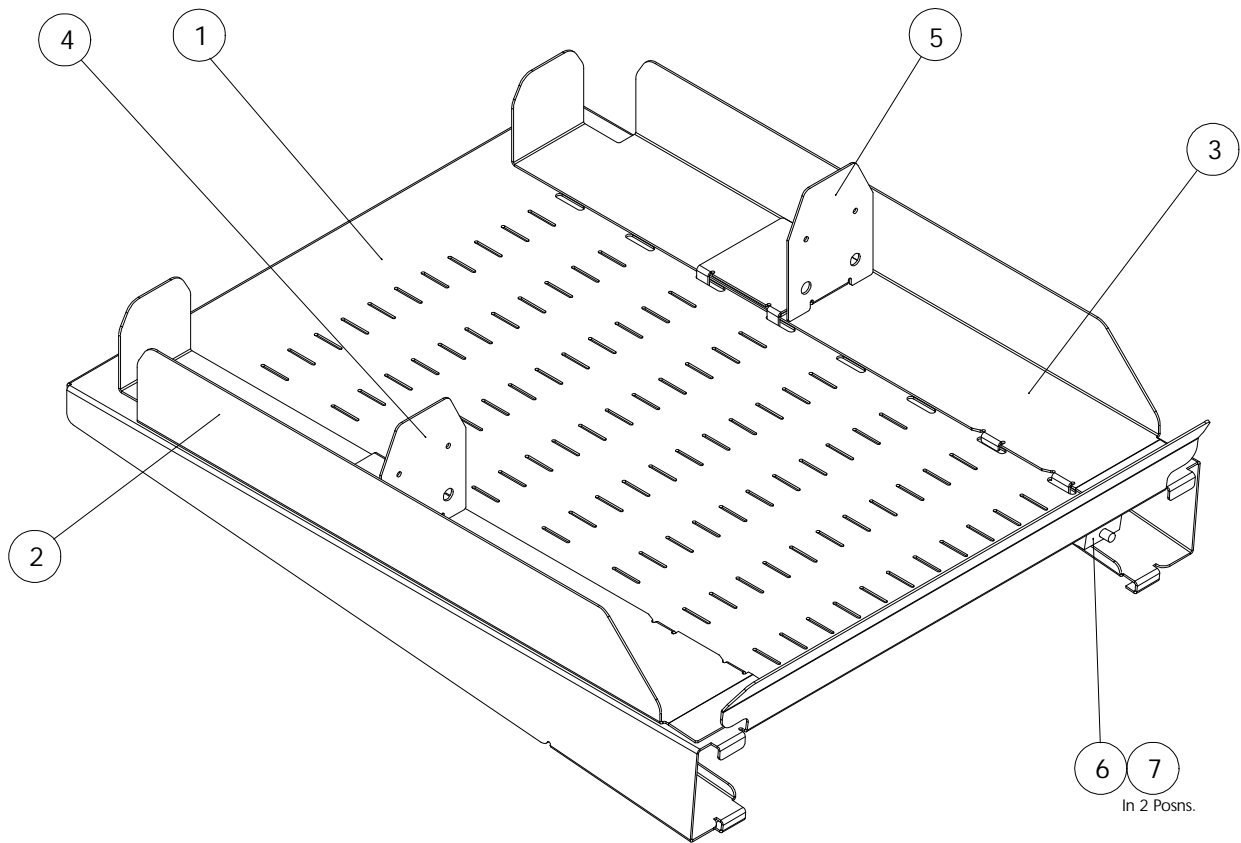
(Crank Shaft Assembly)



ITEM No.	PART No.	QTY.	Description
1	76-076	1	POWER LINK - Blade Crank Shaft.
2	76-077	1	LINK PLATE - Tapped.
3	76-078	1	SHOCK RING PLATE.
4	76-079	1	LINK - Bearing Plate.
5	76-109	1	BEARING - Power Link.
6	602-086	1	BEARING-Deep Groove Ball - 6202-ZZ.
7	609-022	4	O'Ring.
8	401-02-040-016	6	Screw - Pan Pozi Taptitte - M4 x 16 Lg.

**76-03-01**  
(Power Link Assembly)

4

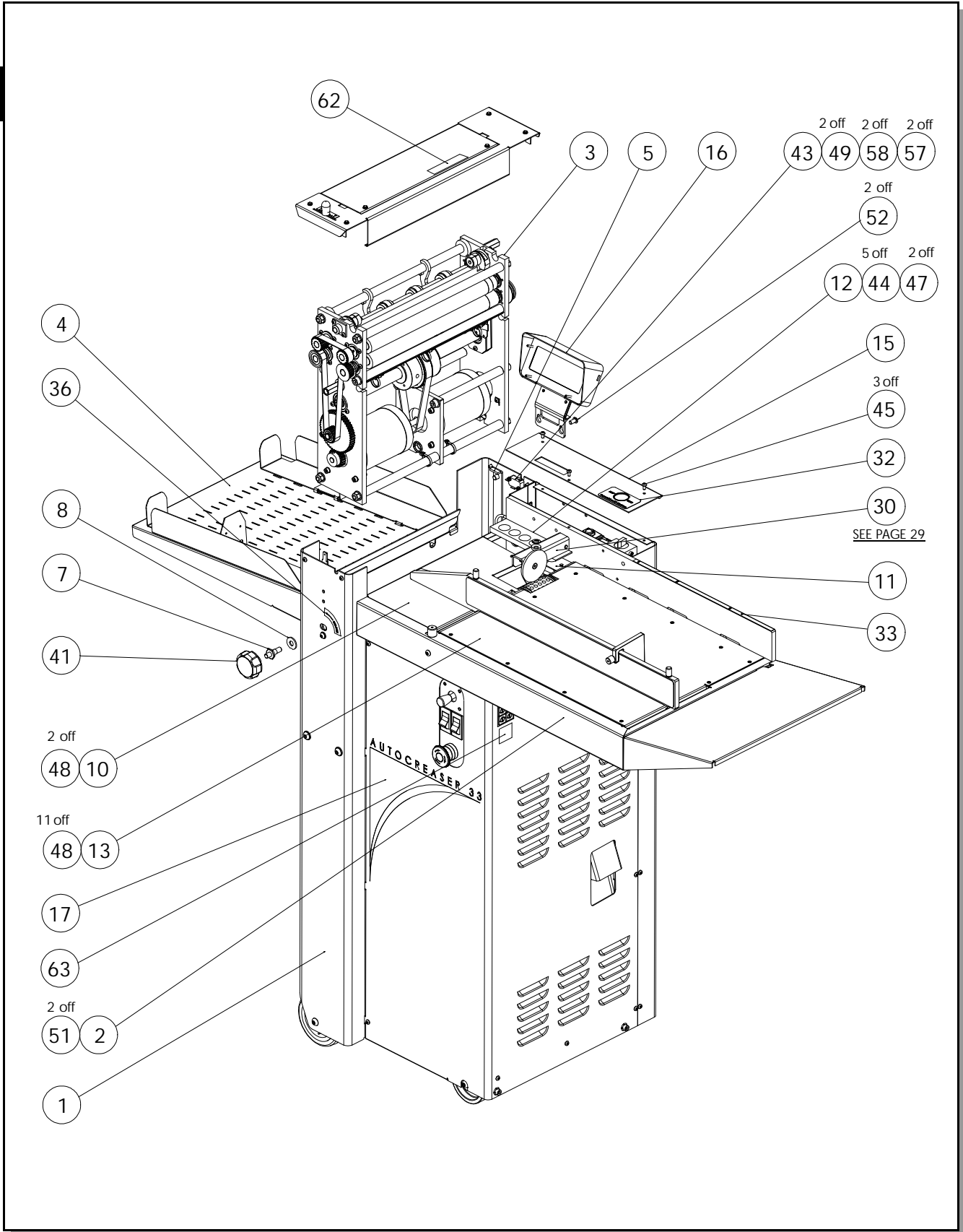


<b>ITEM NO.</b>	<b>PART No.</b>	<b>QTY.</b>	<b>Description</b>
1	78-017-02	1	Stacker Bed - Autocreaser 33
2	78-067-01	1	Stacker Side Guide - R/H - Slotted
3	78-068-01	1	Stacker Side Guide - L/H - Slotted
4	78-069-01	1	Stacker Back Stop - R/H - Slotted
5	78-070-01	1	Stacker Back Stop - L/H - Slotted
6	78-071-01	1	Actuator Assy. - Stacker
7	402-02-050-010	2	Screw - Csk Hd. Taptite - M5 x 10 Lg.

**4**



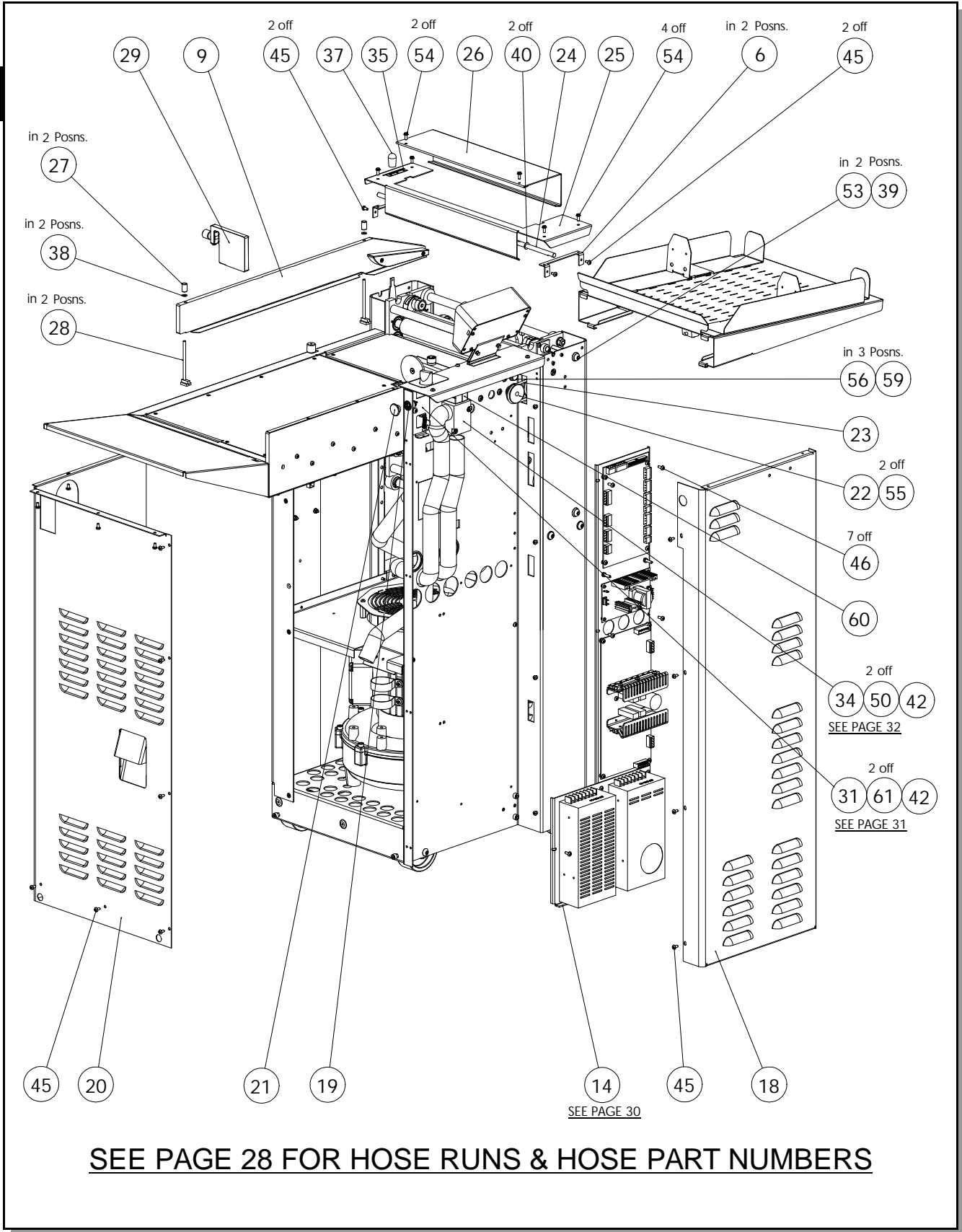
5



ITEM No.	PART No.	QTY.	Description
1	7-01-12	1	MAIN ASSY. - AutoCreaser 50.
2	7-03-11	1	FEED BED ASSY - AutoCreaser 33.
3	7-06-11	1	Creasing Unit Assy - AutoCreaser 33
4	7-08-14	1	Slotted Stacker Assy - AC33
5	71-011	1	HINGE PLATE - AutoCreaser.
7	71-020	1	LOCKING STUD - Clamp
8	71-025	1	Tilt Washer
10	74-001-03	1	FEED BED - AutoCreaser 33.
11	74-002-02	1	CONTROL BED - AutoCreaser 50.
12	74-003	1	BALL HOLDER - AutoCreaser.
13	74-050-01	1	Loading Table - AutoCreaser 33.
15	75-205-01	1	Top Cover - Service Panel
16	75-210-05	1	4 Line Display Unit - MK3
17	75-224-02	1	LABEL - AutoCreaser 33.
30	94-082	1	PAPERGATE ASSEMBLY - Round.
32	75-335	1	LABEL - Air Separation
33	95-038	1	LABEL - Manifold Numbrs.
36	96-060	1	LABEL - Lock
41	606-035	1	LOBE KNOB - Female - M8
43	613-351	1	MICROSWITCH
44	617-003	5	STEEL BALL - Ø20
45	401-02-040-008	25	Screw - Pan Pozi Taptite - M4 x 8 Lg.
47	401-02-050-020	2	Screw - Pan Pozi Taptite - M5 x 20 Lg.
48	402-02-030-008	13	Screw - Csk Hd. Taptite - M3 x 8 Lg.
49	403-01-030-016	2	SCREW - Socket Cap Head - M3 x 16 Lg.
51	405-01-060-010	2	Screw - Button Hd. - M6 x 10 Lg.
52	405-01-060-012	2	SCREW - Socket Button Head - M6 x 12 Lg.
57	461-01-030	2	NUT - Full - M3
58	481-030	2	WASHER - Plain - M3
62	123-059	1	LABEL - Safety Warnings
63	75-387	1	LABEL - Fuse Ratings

5

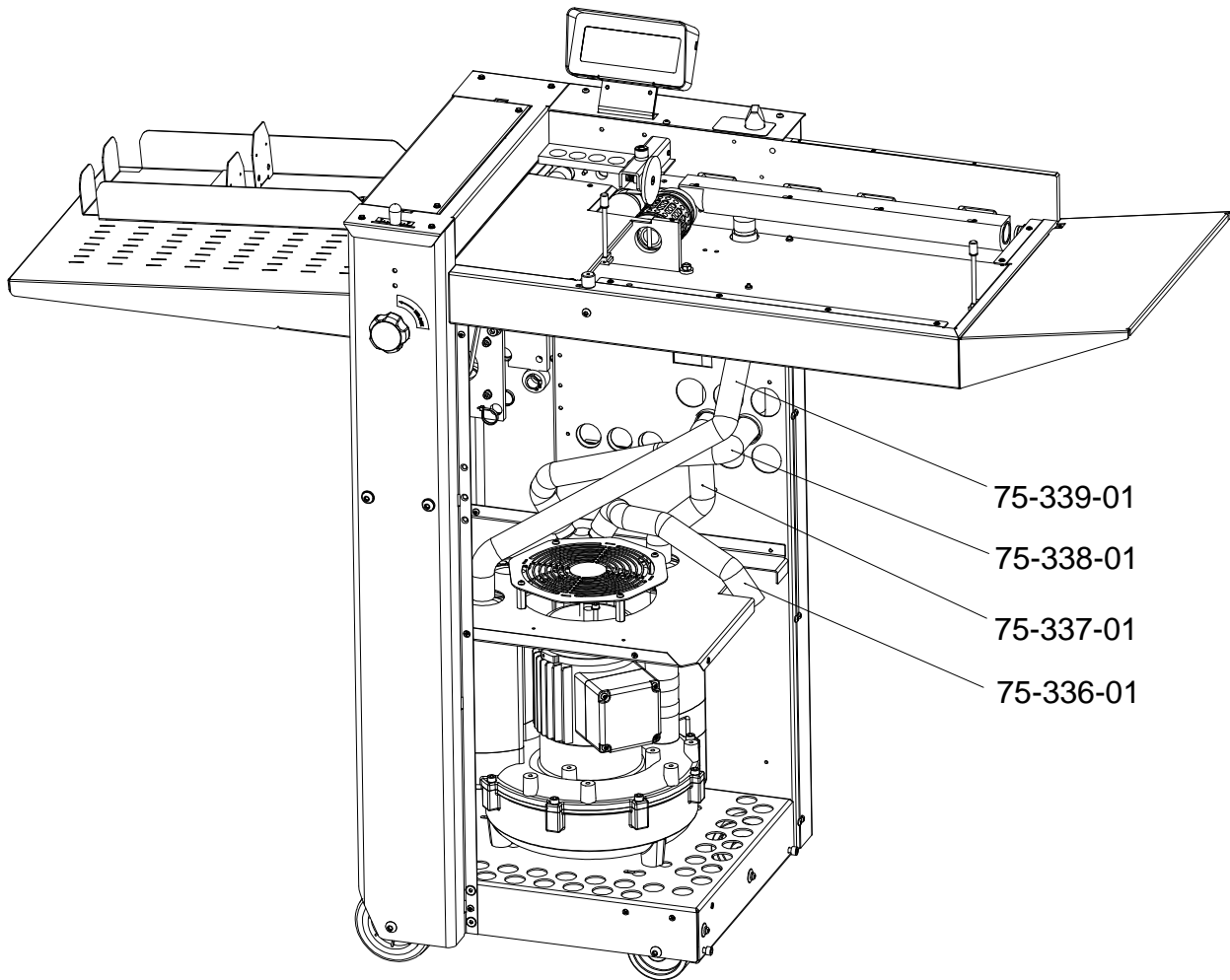
5



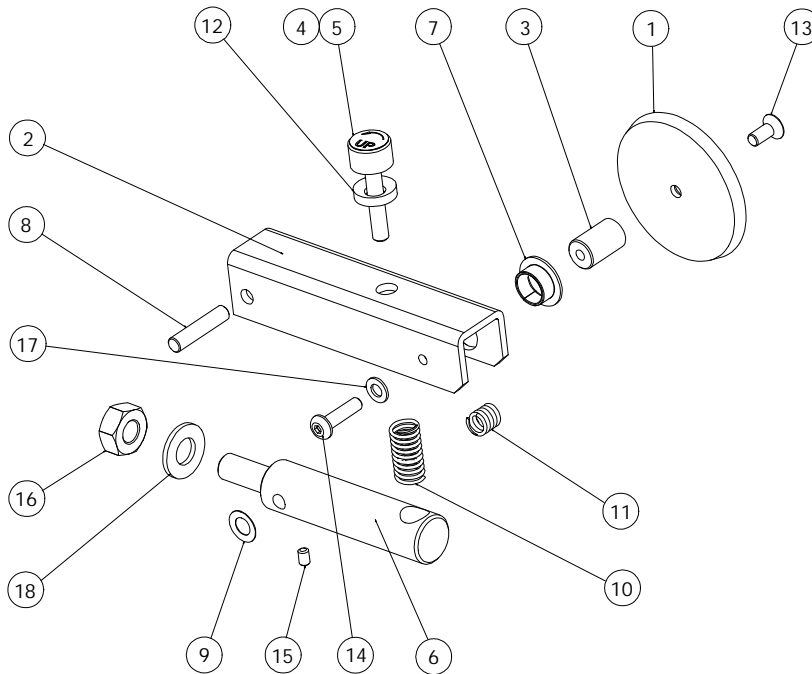
ITEM No.	PART No.	QTY.	Description
6	71-012-02	2	COVER BRACKET - Mk2.
9	74-01-01	1	Moving Sidelay - Metric - AutoCreaser 33
	74-01-02	1	Moving Sidelay - Imperial - AutoCreaser 33
	74-01-03	1	Moving Sidelay - French - AutoCreaser 33
	74-01-04	1	Moving Sidelay - German - AutoCreaser 33
14	75-01-03	1	Control System Assy. AutoCreaser 33
18	75-242-01	1	SERVICE PANEL
19	75-255	1	DIN Socket Assy.
20	75-293-01	1	COMPRESSOR PANEL - AutoCreaser 33.
21	75-333-01	1	EMC BLANKING PLUG - Eng. Socket.
22	76-041	1	CORD PULLEY - Driven.
23	76-042	1	DRIVE BELT - Feed Bed.
24	76-049-04	1	Hinge Shaft - Wide
25	76-050-05	1	Entry Guard AC33
26	76-051	1	EXIT GUARD - AutoCreaer.
27	94-026	2	CLAMP KNOB - Sidelay.
28	94-028	2	LOCK PIN ASSEMBLY. - Side Lay.
29	94-058	1	BACKSTOP ASSY.
31	73-01-02	1	Plunger Valve Assembly
34	73-02-01	1	Suction Valve Assy.
35	96-053	1	Label - Roller Tilt
37	601-111	1	Tapered Ferrule
38	605-043	2	THRUST WASHER - Ø5.1 x Ø9.5 x 0.75
39	605-055	2	WASHER - Self Aligning
40	605-056	2	THRUST WASHER - Ø12.7 x Ø8.00 x 0.81
42	609-013	2	'O' Ring Ø25 x Ø2.5
45	401-02-040-008	25	Screw - Pan Pozi Taptite - M4 x 8 Lg.
46	401-02-040-010	7	Screw - Pan Pozi Taptite - M4 x 10 Lg.
50	403-01-050-035	2	SCREW - Socket Cap Head - M5 x 35 Lg.
53	405-01-080-016	2	SCREW - Socket Button Head - M8 x 16 g.
54	406-01-040-006	6	SCREW - Tamperproof - M4 x 6 Lg
55	409-01-050-005	2	Screw - Socket Set - Flat Point - M5 x 5 Lg.
56	415-01-080-012	3	Screw - Hexagon Head - M8 x 12 Lg.
59	481-080	3	Washer - Plain - M8
60	613-255	1	Solenoid Coil
61	401-02-050-012	2	Screw - Pan Pozi Taptite - M5 x 12 Lg.

5

5



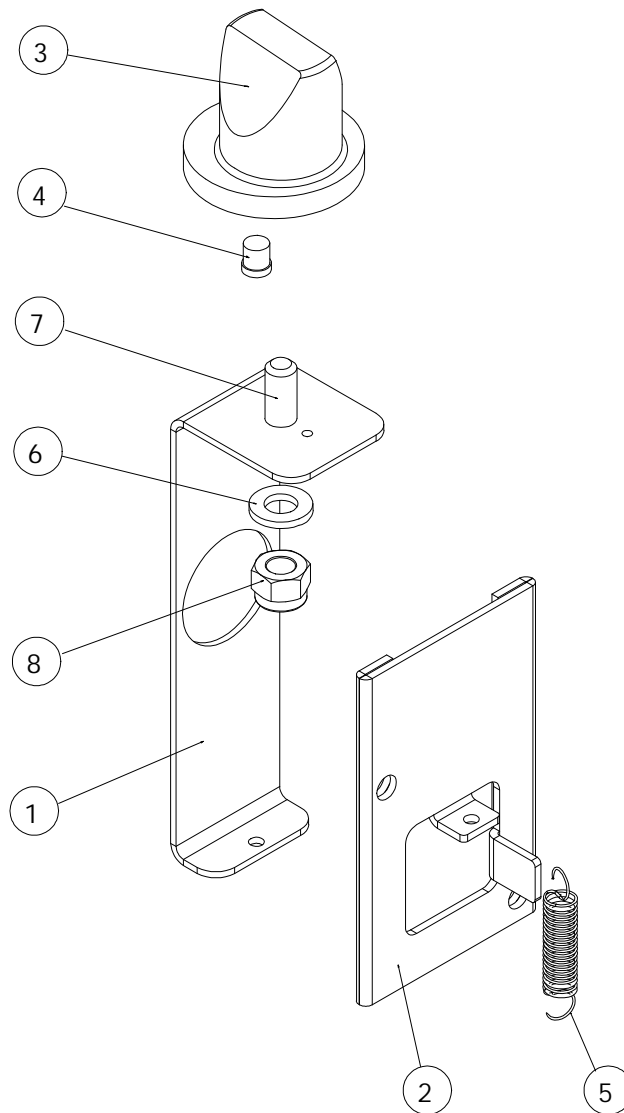
INTERNAL VIEW SHOWING HOSE RUNS & HOSE PART NUMBERS



ITEM NO.	PART NUMBER	QTY.	Description
1	48-005	1	Rotary Paper Gate
2	74-010	1	Papergate Chassis
3	74-011	1	Spindle - Papergate
4	94-020	1	Knob - Papergate
5	94-021	1	Label - Papergate 'UP'
6	94-059	1	Support Post
7	602-057	1	DU Bush - Ø12 x Ø14 x Ø20 x 7 Long
8	603-050	1	Dowel - Ø6 x 28 Lg.
9	604-037	1	Disc Spring - Bearing Location
10	604-061	1	Spring - Compression
11	604-078	1	Spring - Compression
12	605-041	1	Spherical Seating Washer
13	404-01-050-012	1	Screw - Socket Countersunk - M5 x 20 Lg.
14	401-02-050-020	1	Screw - Pan Hd. Pozi - M5 x 20 Lg.
15	409-01-040-006	1	Screw - Socket Set - Flat Point -M4 x 6 Lg.
16	461-01-100	1	Nut - Full - M10
17	481-050	1	Washer - Plain - M5
18	481-100	1	Washer - Plain - M10

**94-082**  
(Papergate Assembly)



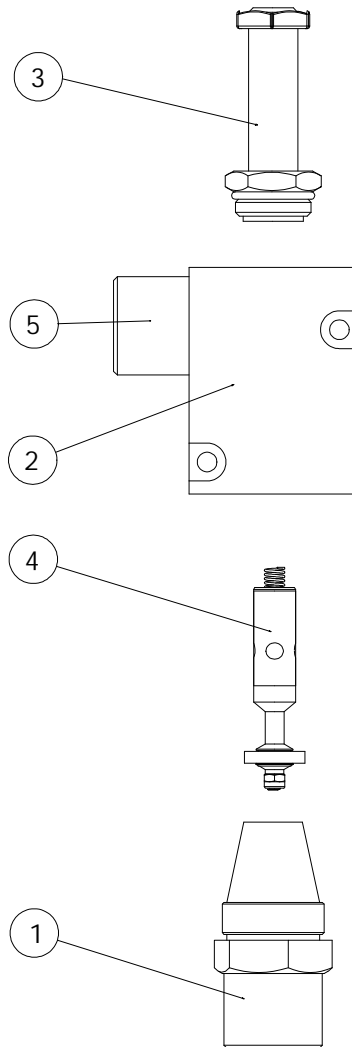


ITEM No.	PART No.	QTY.	Description
1	71-056-01	1	SLIDING VALVE PLATE
2	71-057-01	1	VALVE GUIDE PLATE
3	71-060-02	1	VALVE PLATE KNOB
4	601-160	1	SPRING PLUNGER - PRESS IN
5	604-093	1	SPRING - EXTENSION
6	605-021	1	THRUST WASHER - Ø8 x Ø15.88 x 0.79
7	409-01-060-025	1	SCREW - SOCKET SET - FLAT PT. - M6 x 25 LG.
8	464-01-060	1	NUT - NYLOC - M6

**73-01-02**  
(Plunger Valve Assembly)



5



ITEM No.	PART No.	QTY.	Description
1	95-011	1	SOLENOID VALVE SEAT (50 Hz) (UK).
	95-136	1	SOLENOID VALVE SEAT (60 Hz) (USA).
2	95-012	1	SOLENOID VALVE BLOCK
3	613-136	1	TUBE & NUT ASSY.
4	613-137	1	SPRING & PLUNGER ASSY. - Mk2.
5	71-061-01	1	VALVE BLOCK PORT ADAPTOR

**73-02-01**  
(Suction Valve Assembly)

