

Standard PC-64 II Paper Cutter

Parts Manual



Provided By

MyBinding.com®
When Image Matters.

PARTS BOOK



PC-64

電動断裁機
Paper Cutter

This page is intentionally left blank.



Important Information

This parts book is designed to help you to have easy access to a part or parts you need. Whenever you need to locate a part or parts of the machine involved in repair, service or for some other reason, please use this Parts Book as a guide source reference.

When ordering a part or parts, please be sure to give us the following parts information.

1. Model Name
2. Machine Serial Number
3. Fig. No.
4. Index No.
5. Parts No.
6. Quantity

(Example)

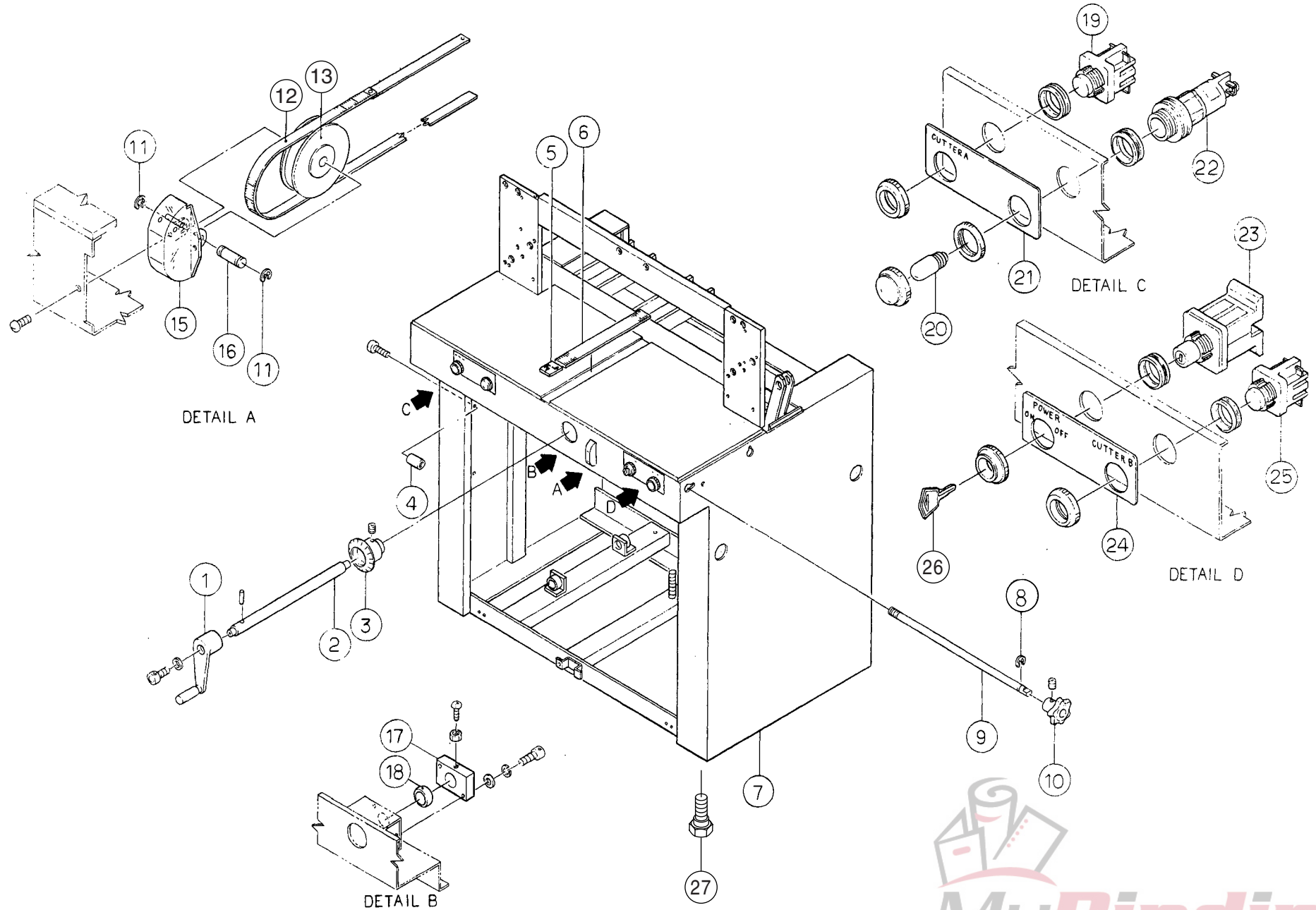
<u>Model</u>	<u>S/N</u>	<u>Fig.No.</u>	<u>Ind.No.</u>	<u>Parts No.</u>	<u>Qty</u>
ABC-12	001001	1	3	M009999-99	2

In the Remark column, additional information is provided with abbreviation style. Please check the Remark column to find necessary parts.

(Abbreviation)

IND.1-10	Assembled parts using parts through Ind.1 to 10
S/N From	Parts applied to machines from stated S/N
S/N To	Parts applied to machines up to stated S/N
400V	Only for 400V Machine
230V	Only for 230V Machine
220V	Only for 220V Machine
200V	Only for 200V Machine
115V	Only for 115V Machine
100V	Only for 100V Machine
mm	Only for mm Version
inch	Only for inch Version
Compatible	Compatible with Mxxxxxx-xx





INDEX	Parts No.	Description	Qty	Price	S/N From	To	Remarks
1	A950805-00	HANDLE	1				
2	M007086-02	SHAFT	1				
3	M001722-02	INDICATOR(M/M)	1				mm
3	M001745-02	INDICATOR	1				inch
4	M007218-02	SPACER	1				
5	4000290-00	LABEL	1				
6	M007132-01	FRONT SCALE	1				mm
6	M007225-01	FRONT SCALE	1				inch
7	M007001-03	FRAME	1				
8	STW-10	SNAP RING	1				
9	M007087-03	CLAMP SCREW	1				
10	M007088-00	CLAMP KNOB	1				
11	ETW-6	SNAP RING	2				
12	A950401-00	MEASURE SCALE	1				mm
12	A950404-00	MEASURE SCALE	1				inch
13	A950313-00	PULLEY	1				
15	A950402-00	LENS	1				
16	M007090-01	PULLEY SHAFT	1				
17	M007084-02	BLOCK	1				
18	M007085-00	METAL	1				
19	4004344-00	PUSH BUTTON	1				
20	E2-1	LAMP(120V 7W)	1				
21	5044-2044	NAME PLATE	1			059899	
22	AIDNC-511	PILOT LAMP SOCKET	1			059899	
23	4004369-00	SELECT SWITCH	1			059899	
24	5044-2043	NAME PLATE	1				
25	4004345-01	PUSH BUTTON SWITCH	1				
26	M002056-00	KEY	1				
27	M20-30	LEVELING BOLT	4				



INDEX	Parts No.	Description	Qty	Price	S/N From	To	Remarks
1	STW-20	SNAP RING	1				
2	M007083-00	SPACER	1				
3	M007169-00	KEY	2				L=30mm
3	M007170-00	KEY	1				L=17mm
4	M007164-02	PULLEY	1				
5	4004545-00	BELT	1				
6	4004370-00	MOTOR(100V)	1				100V
6	4004373-00	MOTOR(120V)	1				120V
6	4004374-00	MOTOR(230V)	1				230V
7	5044-2074	SPACER	4				
8	M915956-00	MOTOR BRACKET	1				
9	M007163-03	PULLEY	1				
10	4004343-00	BEARING	1				
11	M007071-01	CRANK ROD	1				
12	N20	NUT	1				
13	M007082-01	TURN BUCKLE	1				
14	N20(L)	HEX NUT(L)	1				
15	M007075-00	CRANK ROD	1				
16	M007357-01	METAL	1				
17	M007359-00	FULCRUM PIN	1				
18	M007358-02	METAL	1				
19	STW-13	SNAP RING	4				
20	M007074-00	LINK	2				
21	M007363-04	PIN	2				
22	M007060-01	LEVER	2				
23	M007070-00	METAL	1				
24	M007095-00	MOUNT PLATE	1				
25	M007098-01	SHAFT	1				
26	M007159-00	RUBBER RING	3				
27	4001703-00	TERMINAL BOARD	1				
28	4004543-00	INNER RING	1				

PC-64

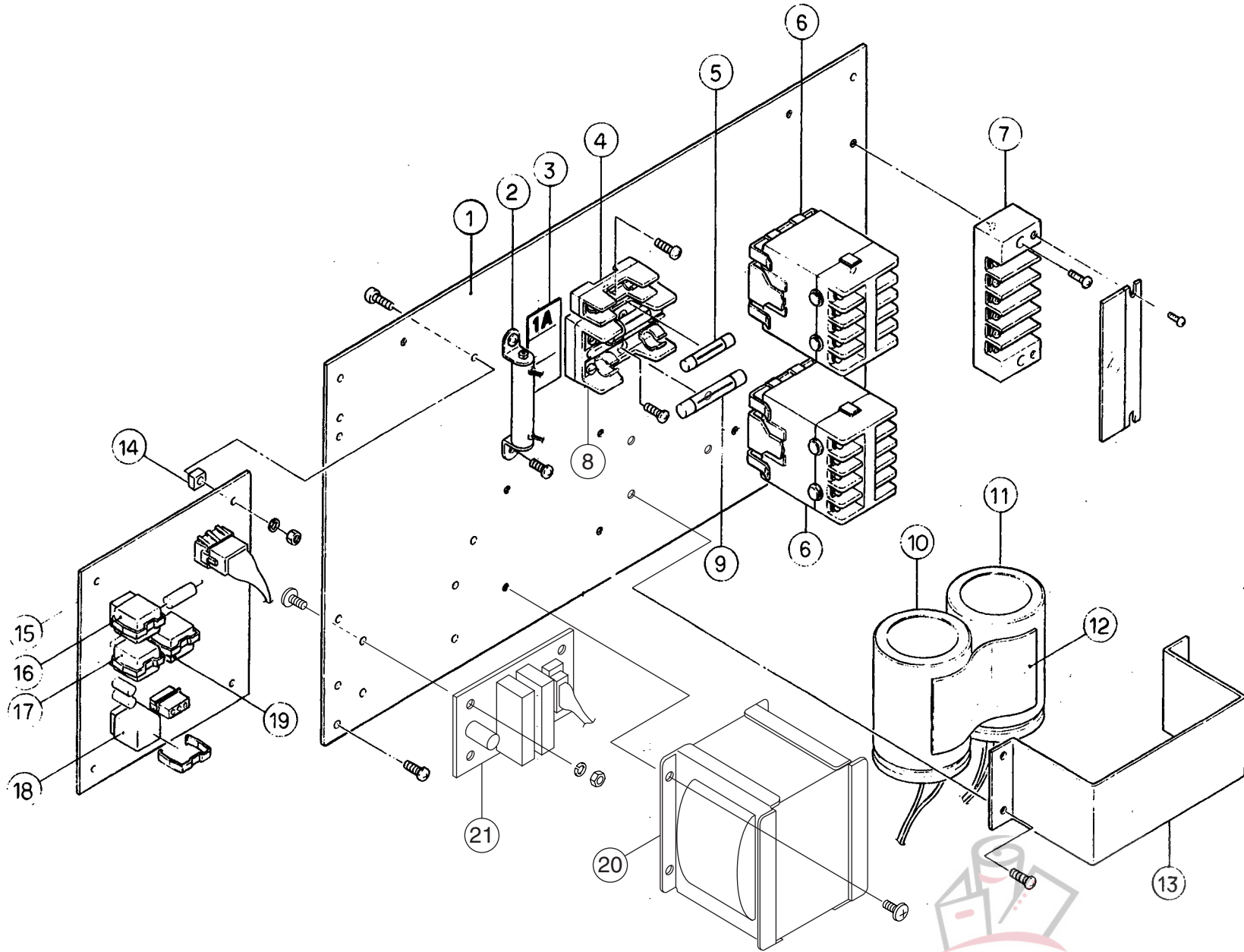
Fig. 2

INDEX	Parts No.	Description	Qty	Price	S/N From	To	Remarks
29	A950406-00	CRANK ROD AS	1				

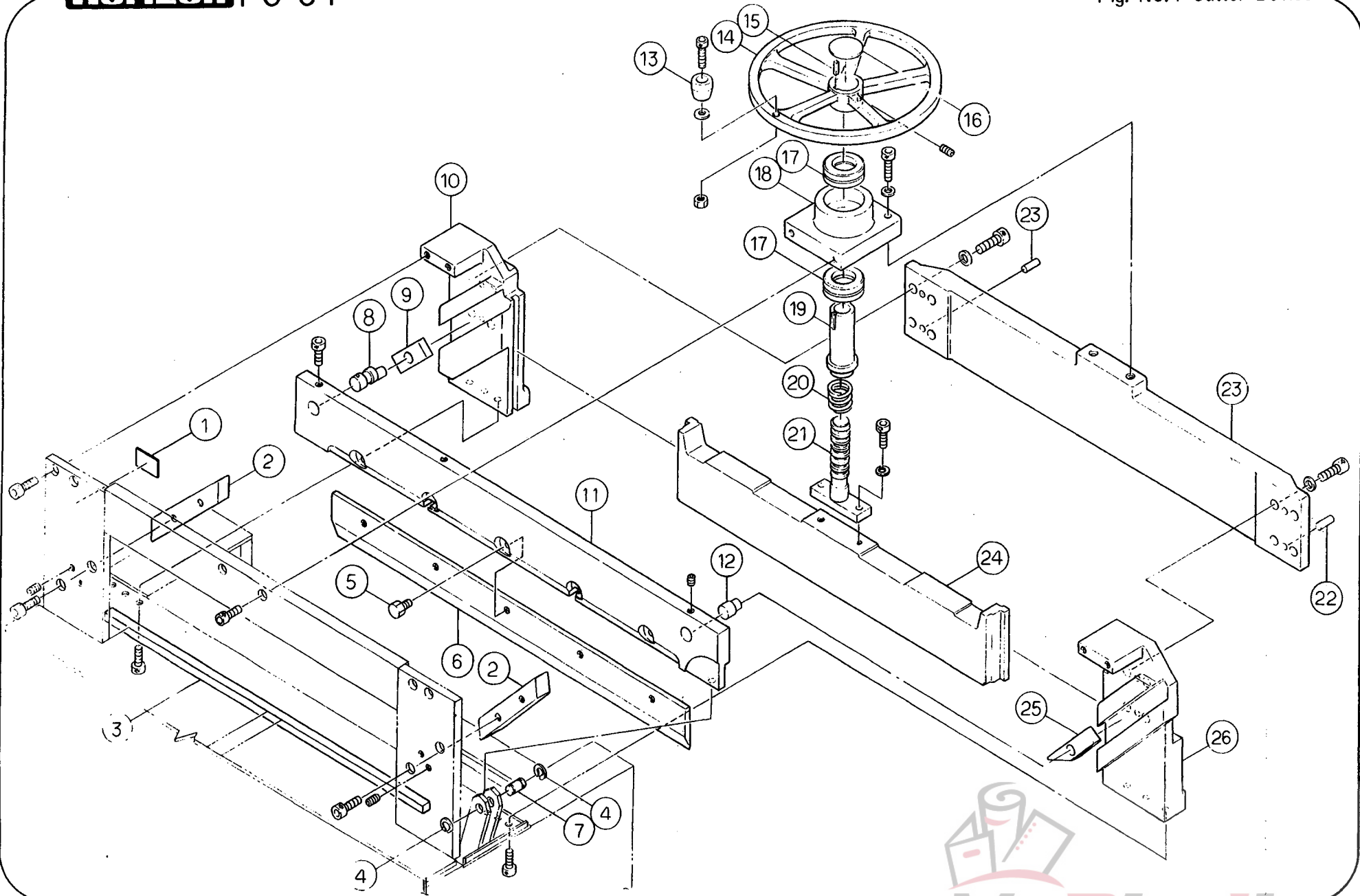


This page is intentionally left blank.





INDEX	Parts No.	Description	Qty	Price	S/N From	To	Remarks
1	M007215-06	CHASSIS	1				
2	4004363-00	RESISTOR	1				
3	5044-5020	LABEL	1				
4	F33211P	FUSE HOLDER	1				
5	4000877-00	FUSE(1A)	1				
6	4004353-00	CONTACTOR	1				
7	4001703-00	TERMINAL BOARD	1				
8	F-12P	FUSE HOLDER	1				
9	4002267-00	FUSE	1				Diameter 6mm/15A
9	4004347-00	FUSE	1				Diameter 6mm/30A
10	SHMF225MF	CAPACITOR	1				
11	SHMF225MF	CAPACITOR	1				
12	M007222-01	PLATE	1				
13	M007228-03	BRACKET	1				
14	JPJ-101	SPACER	4				
15	QPP-106	P.C.B.	1				
16	4002860-00	RELAY	1				
17	4002860-00	RELAY	1				
18	4002860-00	RELAY	1				
19	4002886-00	RELAY	1				
20	4000724-00	TRANSFORMER	1				
21	QPP-162	P.C.B.	1				

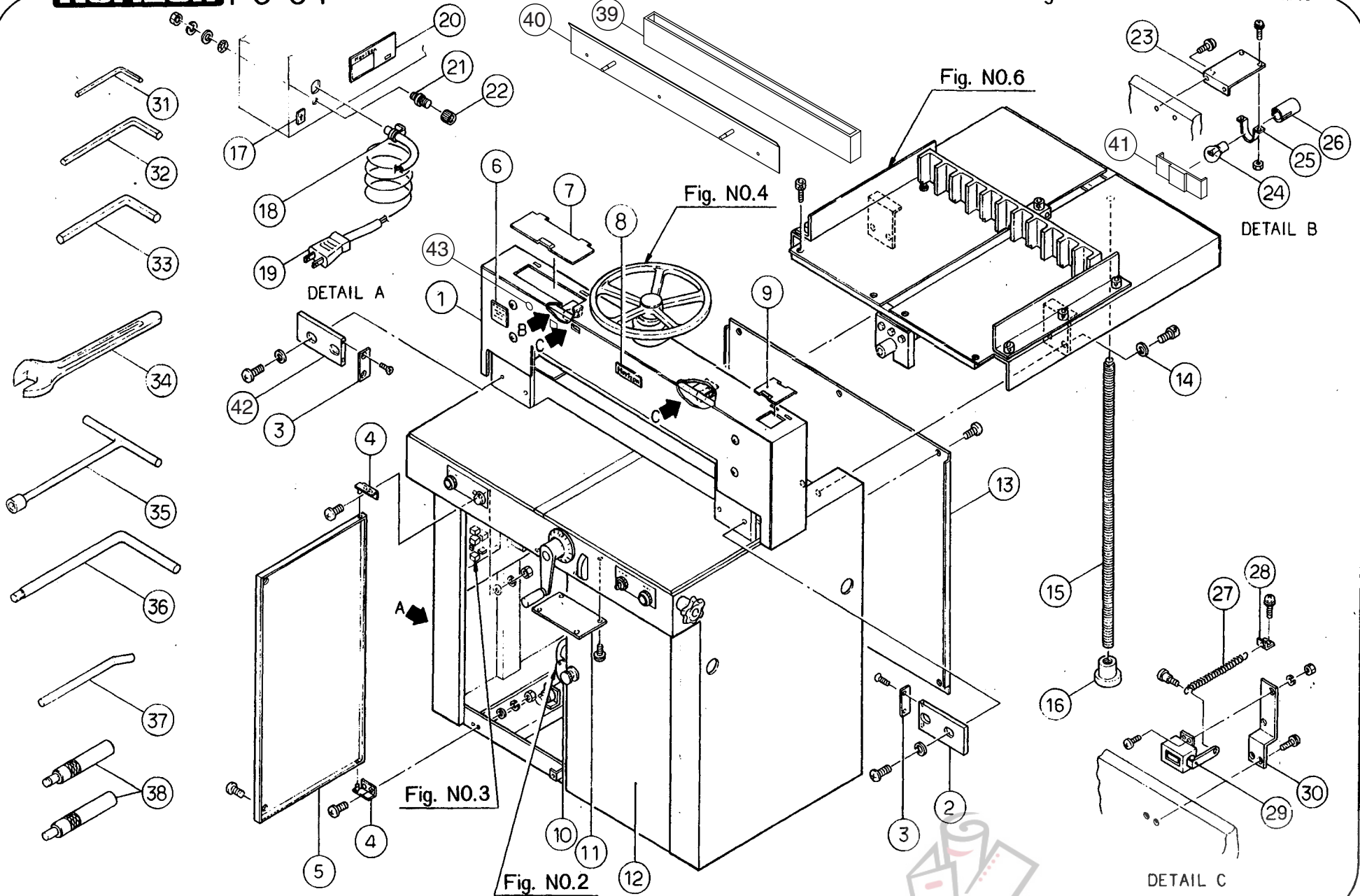


INDEX	Parts No.	Description	Qty	Price	S/N From	To	Remarks
1	QQT-134	NAME PLATE	1				
2	M007057-02	ADJUSTING PLATE	2				
3	M007157-01	CUTTING STICK	1				
4	STW-13	SNAP RING	2				
5	M007100-00	FITTING BOLT	1				
6	M007099-02	KNIFE	1				
7	M007059-00	JOINT PIN	1				
8	M007056-00	ECCENRIC PIN	1				
9	M007158-01	SLIDER (L)	1				
10	5044-2002	CUTTER GUIDE	1				
11	M007050-00	CUTTER HOLDER	1				
12	M007055-00	PIN	1				
13	M001725-00	KNOB	1				
14	M007048-01	HANDLE	1				
15	M007049-00	KEY	1				
16	M007131-01	CAP	1				
17	4004542-00	BEARING	2				
18	M915128-00	BRACKET	1				
19	M007046-05	SHAFT	1				
20	M007047-01	SPRING	1				
21	M007043-00	SCREW	1				
22	5044-2078	KNOCK PIN	4				
23	5044-2003	BODY	1				
24	M007042-06	CLAMP PLATE (L)	1				
25	M007054-02	SLIDER(R)	1				
26	M007041-05	CUTTER GUIDE	1				



Horizon PC-64

Fig. NO.5 Cover & Other Parts



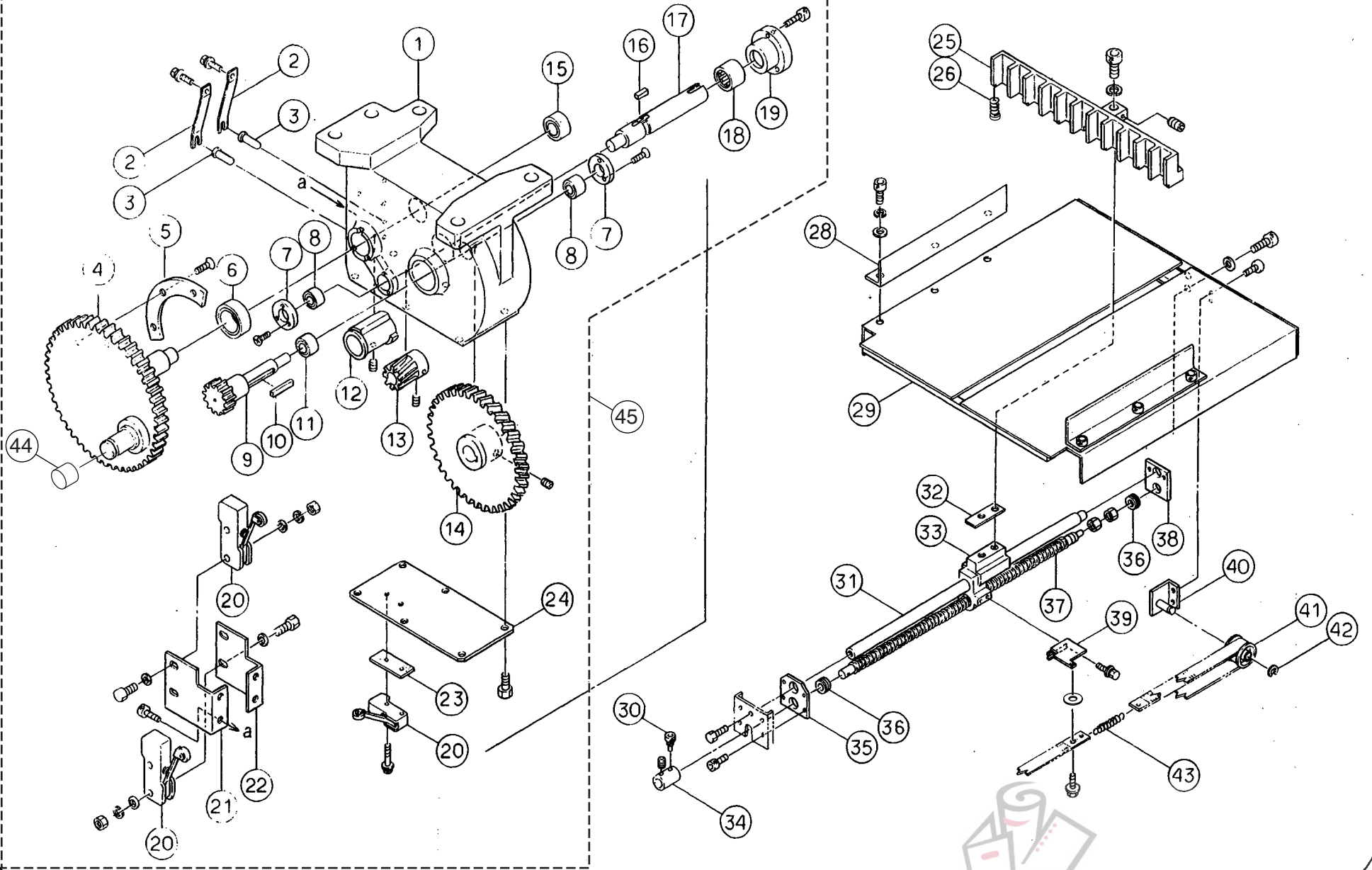
INDEX	Parts No.	Description	Qty	Price	S/N From	To	Remarks
1	M007116-00	COVER	1				
2	M007125-00	PAPER GUIDE	1				
3	5044-2065	GAUGE PLATE	1				
4	M007108-00	HINGE	2				
5	M007101-01	DOOR (L)	1				
6	QQM-106	CAUTION LABEL	1				
7	M007119-00	DOOR	1				
8	4001167-00	BRAND PLATE	1				
9	M007122-00	DOOR	1				
10	4002610-00	KNOB	1				
11	M007124-01	COVER	1				
12	M007103-04	DOOR R	1				
13	M007130-01	BACK COVER	1				
14	M007212-01	WASHER	1				
15	M007213-02	SHAFT	1				
16	M007214-01	JACK PIECE	1				
17	QQT-188	GROUND	1				
18	6P3-6	CORD BUSH	1				
19	4000953-00	POWER CORD	1				
20	5044-5018	MODEL PLATE	1				
21	5044-2061	GROUND TERMINAL	1				
22	5044-2062	NUT	1				
23	M007115-03	BRACKET	1				
24	4002666-00	LAMP	1				
25	M916101-00	BAND	1				
26	A950403-00	LAMP HOLDER	1				
27	M007114-00	SPRING	1				
28	M007058-01	HOOK	1				
29	4004361-00	COUNTER	1				
30	M007113-02	BRACKET	1				
31	4001439-00	ALLEN WRENCH	1				

INDEX	Parts No.	Description	Qty	Price	S/N From	To	Remarks
32	4000968-00	ALLEN WRENCH	1				
33	4001744-00	ALLEN WRENCH	1				
34	4001745-00	SPANNER	1				
35	4004368-00	BOX WRENCH	1				
36	M007220-00	L-WRENCH	1				
37	M007217-10	ADJUS BAR	1				
38	M007396-03	KNIFE HOLDER	2				
39	M007231-01	KNIFE CASE	1				
40	A950810-00	PLATE	1				
41	M001701-04	LAMP	1				
42	M007127-00	PAPER GUIDE	1				
43	4007671-00	LAMP	1				



This page is intentionally left blank.





INDEX	Parts No.	Description	Qty	Price	S/N From	To	Remarks
1	M007162-07	HOUSING	1				
2	M007183-02	LEAF SPRING	2				
3	M007180-01	PUSH ROD	2				
4	M007171-00	CRANK GEAR	1				
5	M007184-01	DETECTION PLATE	1				
6	M007188-01	METAL	1				
7	M007186-02	FANGE	2				
8	4004548-00	METAL	2				
9	M007167-01	MID GEAR	1				
10	M007171-00	CRANK GEAR	1				
11	4004540-00	METAL	1				
12	M007178-03	CAM BASE	1				
13	M007166-01	INPUT GEAR	1				
14	M007168-02	MID GEAR	1				
15	4004549-00	METAL	1				
16	M007169-00	KEY	1				L=30
16	M007170-00	KEY	1				L=17
17	M007165-01	SHAFT	1				
18	F-25200H	BEARING	1				
19	M007175-01	METAL HOLDER	1				
20	4004354-00	SWITCH	3				
21	M007181-00	HOLDER(RH)	1				
22	M007182-00	HOLDER(LH)	1				
23	M007185-00	INSULATOR	1				
24	M007176-01	COVER	1				
25	M007199-02	BACK GAUGE	1				
26	M001829-04	BLOCK	1				
28	M007210-03	SIDE GAUGE	1				
29	M007189-00	BACK TABLE	1				
30	M007211-00	SCREW	1				
31	M007202-03	GUIDE BAR	1				

INDEX	Parts No.	Description	Qty	Price	S/N From	To	Remarks
32	M007209-00	BACK GAUGE SPACER	1				
33	M007200-05	BRACKET	1				mm
33	M007226-02	BRACKET	1				inch
34	M007089-00	COUPLING	1				
35	M007203-00	FIX LATE	1				
36	4000901-00	BEARING	2				
37	M007201-03	FEED SCREW	1				
38	M007204-00	GUIDE PLATE	1				
39	M007208-01	FITTING PLATE	1				
40	M007205-00	BRACKET	1				
41	M001848-01	PULLEY	1				
42	ETW-7	SNAP RING	1				
43	M007094-00	SPRING	1				
44	4006095-00	NEEDLE BEARING	1				
45	A950405-00	REDUCER UNIT	1				