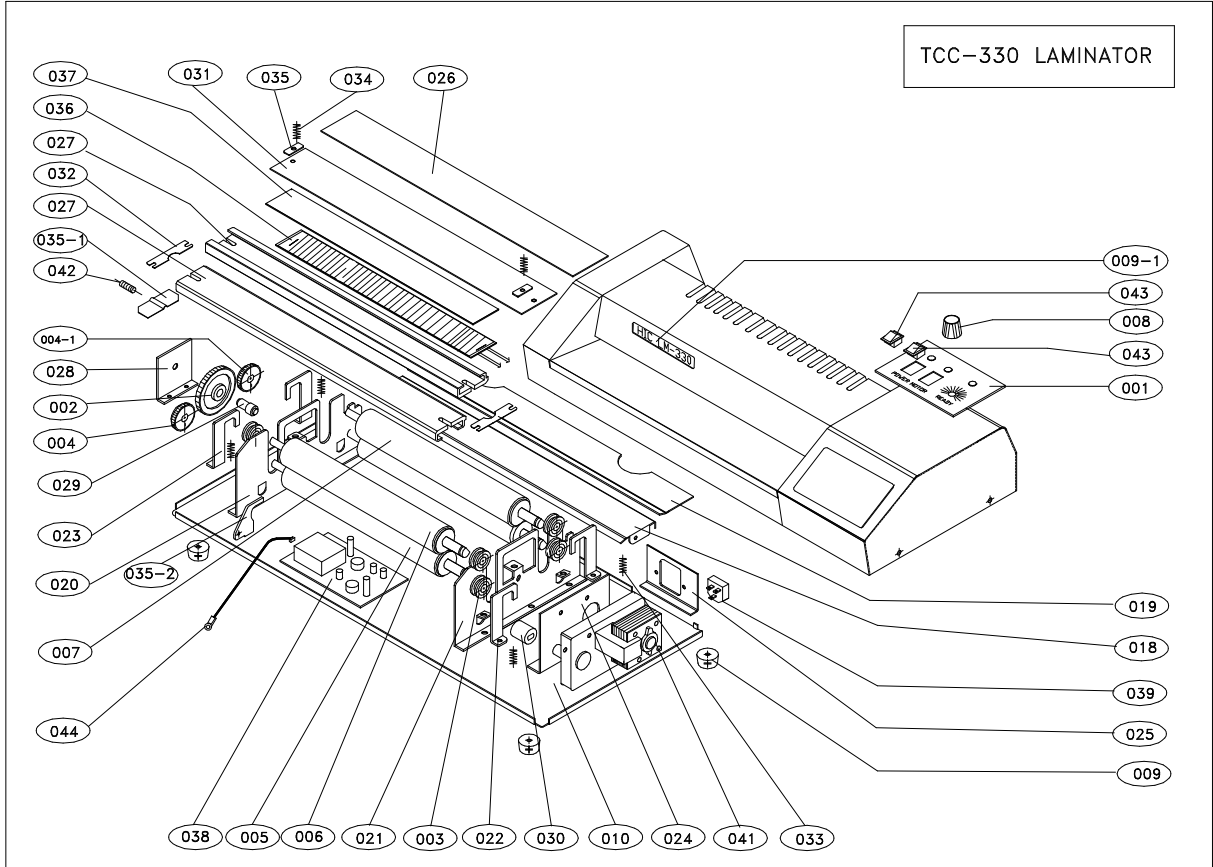


TCC-330 LAMINATOR



TCC-330 LAMINATOR PARTS MANUAL

DRAWING NO	PART NO	DESCRIPTION	DRAWING NO	PART NO	DESCRIPTION
001	3LM-B1	PANEL	027	3LM-D18	HEAT PLATE
002	3LM-B2	GEAR	028	3LM-D19	SUPPORT PLATE
003	3LM-B3	BUSH	029	3LM-D20	AXLE
004	3LM-B4	GEAR	030	3LM-D21	TRANS AXILE
004-1	3LM-B4-1	GEAR	031	3LM-D22	FIXED PLATE
005	3LM-B5	ROLLER	032	3LM-D23	PAD
006	3LM-B5-1	ROLLER	033	3LM-D24	SPRING
007	3LM-B6	ROLLER	034	3LM-D25	SPRING
008	3LM-B7	KNOB	035	3LM-D26	SPRING PAD
009	B-9	RUBBER FOOT	035-1	3LM-D27	DEPRESS PLATE
009-1	3LM-B10	MARK	035-2	3LM-D27	FIXED PLATE
010	3LM-D1	BASE PLATE	036	3LM-P1	HEATER
018	3LM-D9	REAR PLATE	037	3LM-P2	HEAT-RESIST FORM
019	3LM-D10	REAR DEPRESS PLATE	039	3LM-P4	SOCKET
020	3LM-D11	BRACKET <L>	040	3LM-P5	POWER CORD
021	3LM-D12	BRACKET <R>	041	3LM-P6	POLE SHADE MOTOR
022	3LM-D13	HOOK PLATE <R>	042	3LM-P7	FUSE
023	3LM-D14	HOOK PLATE <L>	043	3LM-P8	SWITCH
024	3LM-D15	MOTOR RACK	044	3LM-P9	SENSOR
025	3LM-D16	POWER RACK			
026	3LM-D17	HEAT-RESIST PLATE			