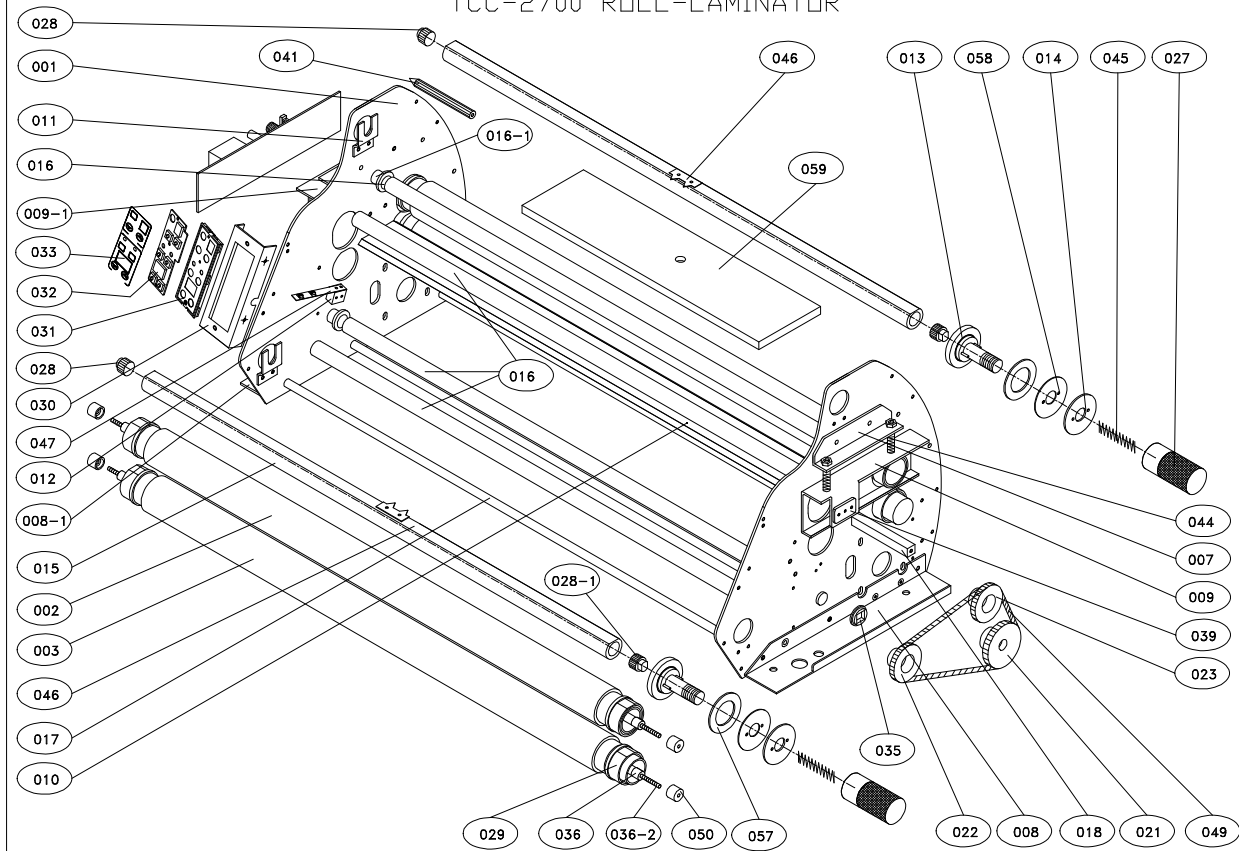
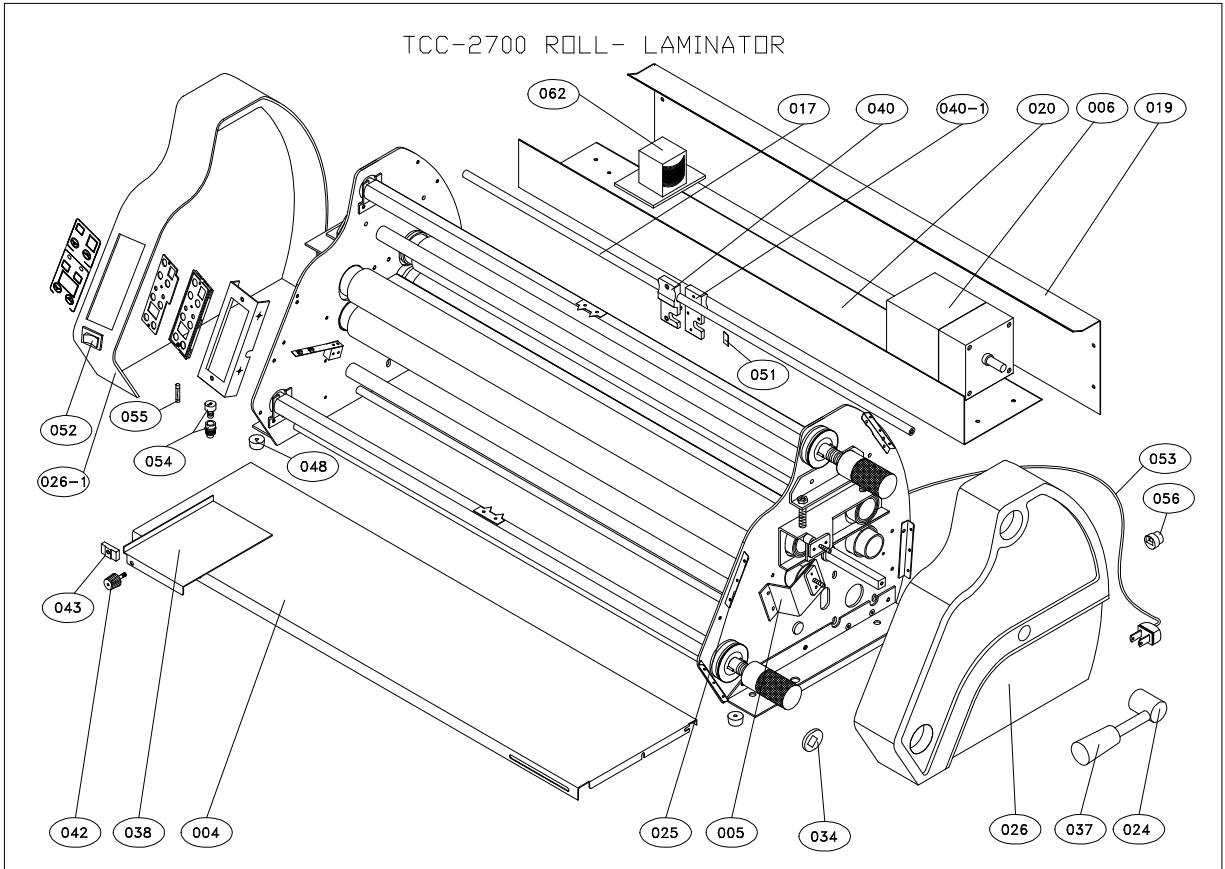


TCC-2700 ROLL-LAMINATOR



TCC-2700 ROLL- LAMINATOR



TCC-2700 LAMINATOR

DRAWING NO	PART NO	DESCRIPTION	DRAWING NO	PART NO	DESCRIPTION
001	RLM-1	RACKET	028	RLM-24	FIXED BUSH
002	RLM-2	FRONT ROLLER	028-1	RLM-24-1	FIXED BUSH
003	RLM-2A	REAR ROLLER	029	RLM-25	CU BUSH
004	RLM-3	GUIDE PLATE	030	RLM-26	PANNEL RACK
005	RLM-4	FIXED PLATE	031	RLM-27	CONTROL
006	RLM-5	DC MOTOR	032	RLM-27-1	PANEL
007	RLM-6	DEPRESS	033	RLM-28	AL PLATE
008	RLM-7	POWER RACKET PLATE(R)	034	RLM-29	TRANSMISSION PARTS
008-1	RLM-7-1	POWER RACKET PLATE(L)	035	FD-39	BUSH
009	RLM-8	UPPER	036	RLM-31	QUARTZ
009-1	RLM-8-1	UPPER(R)	036-2	3H1-P8-3B	FIXED SCREW
010	RLM-9	HEATER PLATE	037	RLM-32	HANDLE
011	RLM-10	FEEDING PLATE(L)	038	RLM-33	FIXED PLATE
012	3H1-D30	THERMO SET	039	3H1-P9	SILICON PAD
013	RLM-12	FEEDING PLATE(R)	040	RLM-37	CLIP-PLATE A
014	RLM-13	PAD	040-1	RLM-38	CLIP-PLATE B
015	RLM-14	FEEDING	041	RLM-39	SPACER
016	RLM-15	EXPAND SHAFT	042	CB-3	GUIDE SCREW
016-1	RLM-15-1	BUSH	043	CB-4	GUIDE NUT
017	RLM-16	FIXED SHAFT	044	RLM-42	SPRING
018	RLM-17	ADJUSTMENT	045	RLM-43	SPRING
019	RLM-18	REAR PLATE	046	RLM-44	SPRING
020	RLM-19	INNER COVER	047	3H1-D33	THERMO PLATE
021	RLM-20-1	CHAIN GEAR	048	SB-4	FOOT RUBBER
022	RLM-20-2	CHAIN GEAR(A)	049	RLM-45	CHAIN
023	RLM-20-3	CHAIN GEAR(B)	050	RLM-46	QUARTZ BUSH
024	B-2	PLASTIC CAP	051	RLM-47	KNIFE
025	RLM-21	FIXED PLATE	052	RLM-48	SWITCH
026	RLM-22	SIDE COVER(R)	053	RLM-49	POWER WIRE
026-1	RLM-22-1	SIDE COVER(L)	054	RLM-50	FUSE SET
027	RLM-23	ADJUSTABLE SHAFT	055	RLM-52	FUSE

